

0CNP3-M57400EN

## Directions for the Parts Catalog.

1. This Parts Catalog shows both standard and optional parts.
2. Parts may change without prior notice.
3. The following is an example of the Parts Catalog format.

REF.	LEV.	PARTS NO.	DESCRIPTION	Q'TY						I	R
				(A)	(B)	(C)	(D)	(E)	(F)		
1	1	729595-51390	FUEL INJECTION PUMP	1	1	1	1	1			1
1-1	1	729595-51391	FUEL INJECTION PUMP	1	1	1	1	1		N	1
		(A=E00185) (B=E00200)									
3	2	26022-060162	SCREW M 6X 16	9	9	9	9	9			
3-1	2	26022-060162	SCREW M 6X 16	4	4	4	4	4		K	
		(A=E00156) (B=E00156) (C=E00156) (D=E00156) (E=E00156)									
4	2	129470-51040	CAMSHAFT	1	1	1	1	1			
5	2	122710-51050	BEARING, ROLLER	2	2	2	2	2			
6	2	129470-51060	RETAINER	1	1	1	1	1			

Remarks
(1) BOOST COMPEMSATOR TYPE. OPTIONAL PART, TO E00155,(4JH-DT, 4JH-DTZ

### ① Ref. No.

The Ref. No. listed may not be in accordance with the illustration Ref. No.

(Ex.) Illustration No.

List Ref No.

1

1

(Before change)

1-1

(After change)

For interchangeable symbols N, R and K, illustrations for new parts may be abbreviated.

### ② Lev. (Level)

Level indication

The numbers below indicate the level of relativity towards the main part.

1 ----- Main parts (Assembly parts)

2 ----- Sub component included in " 1 ".

3 ----- Sub component included in " 2 ".

Note) Parts that are not for sale are partially illustrated but not listed.

### ③ Interchangeability Symbol

When a part change takes place, one of the following interchangeability symbols is indicated beside the part.

Symbol	Interchangeability	Contents note
N	Old $\begin{matrix} \leftarrow \text{Yes} \\ \text{No} \rightarrow \end{matrix}$ New	New Part is interchangeable for Old Part but Old Part is not interchangeable for New Part.
Q	Old $\begin{matrix} \leftarrow \text{No} \\ \text{Yes} \rightarrow \end{matrix}$ New	New Part is not interchangeable for Old Part but Old Part is interchangeable for New Part.
R	Old $\begin{matrix} \leftarrow \text{Yes} \\ \text{Yes} \rightarrow \end{matrix}$ New	New/ Old Parts are both interchangeable.
S	Old $\begin{matrix} \leftarrow \text{No} \\ \text{No} \rightarrow \end{matrix}$ New	New/ Old Parts are both not interchangeable.
W		Part newly added.
Z		Part discontinued.
F		Not interchangeable by a single part but interchangeable together with related parts.
K		Changes only for used parts quantities.

### ④ Effective Machine No.

When a part changes, the effective Machine No. will be indicated in the (A)-(F) column.

Product Symbol	Product No.	Product Symbol	Product No.
C	Clutch No. Compressor No.	F	Machine No. (Agricultural Equip.)
D	Drive No.	M	Machine No.
E	Engine No.		

Note 1) A date may follow the symbol. (Ex.) 1996.01

Note 2) "XXXXX" and "ZZZZZ" are for parts that could not be predicted or for engine models that could not be identified.

Note 3) (A=E00185) is the E (Engine Serial Number) for the column (A) model (in this case 4JH-DT) after the parts design change.

### ⑤ Remarks

Figures or alphabets (symbols) are entered in the remarks column.

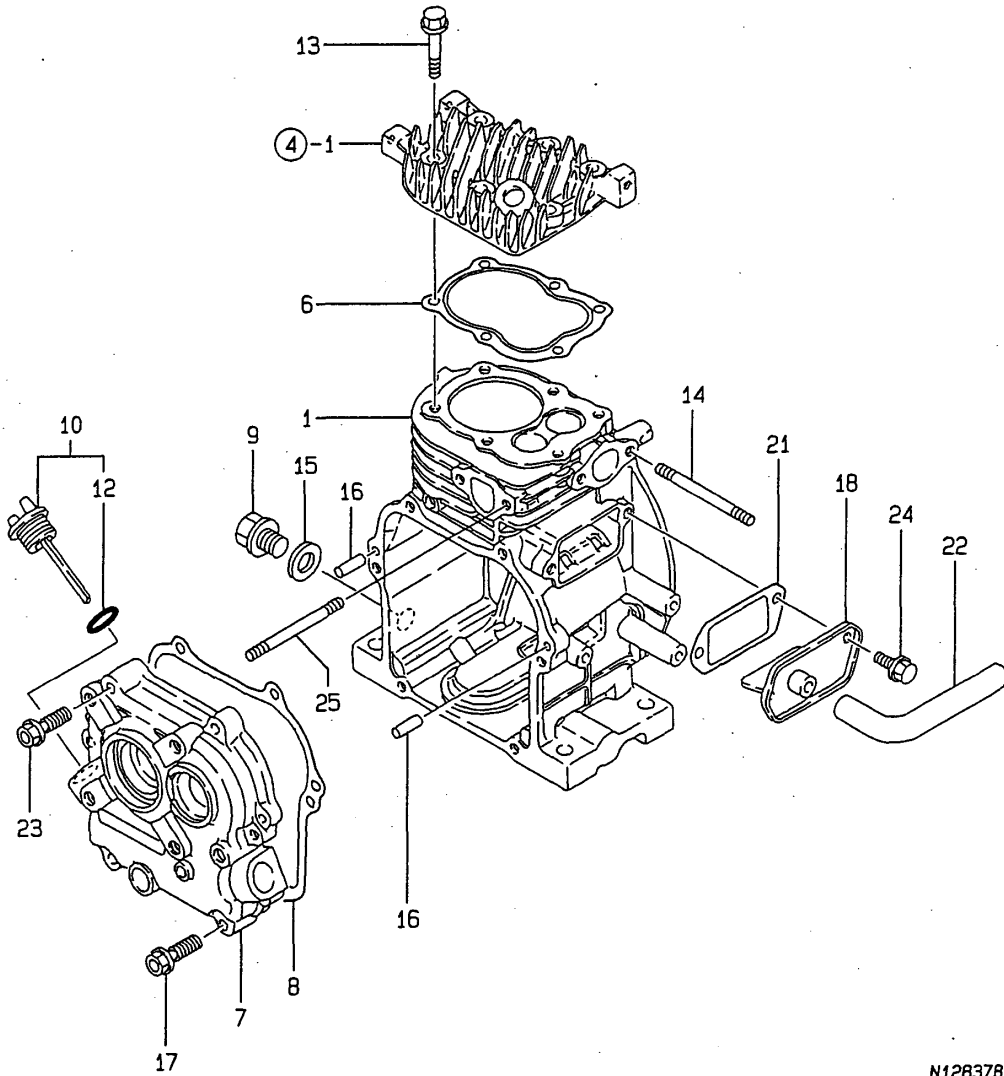
The comments (remarks) on parts that are indicated at the bottom of the illustration are the same symbols as those stated above.

# Contents

Fig. No.	Fig. Name	Fig. No.	Fig. Name
ENGINE UNIT(MODEL GE20E-DK1)		19. AXLE ROTOR	
1.	CYLINDER BLOCK	HANDLE SECTION	
2.	CRANKSHAFT & PISTON	20.	HANDLE COLUMN
3.	LABEL	21.	HANDLE
4.	CYLINDER HEAD&AIR CLEAN.	22.	COTROL LEVER(E
5.	CAMSHAFT&GOVERNOR	ENGINE FRAME SECTION	
6.	FLY.MAGNET & STARTING DEVICE	23.	ENGINE FRAME
7.	FUEL PIPE	24.	REAR HITCH
8.	CARBURETOR	25.	BELT COVER
9.	CONTROLLING DEVICE	26.	FUEL TANK
PULLEY & TENSION SEC		27.	BONNET W
10.	ENGINE MOUNTING	28.	SKID
11.	ENGINE & MAIN PULLEYS	LABELS & ACCESSORIES	
12.	TENSION CLUTCH	29.	ELECTRICAL PARTS
TRANSMISSION UNIT		30.	LABELS
13.	TRANSMISSION CASE	31.	TOOLS & ACCESSORIES
14.	MAIN SHAFT		
15.	COUNTER SHAFT		
16.	SPEED REDUCTION SHAFT		
17.	AXLE		
WHEEL SECTION			
18.	FENDER		

Fig.1. CYLINDER BLOCK

1. CYLINDER BLOCK



N12B37B

(A)=GE20E-DK1

(B)=

(C)=

(D)=

(E)=

(F)=

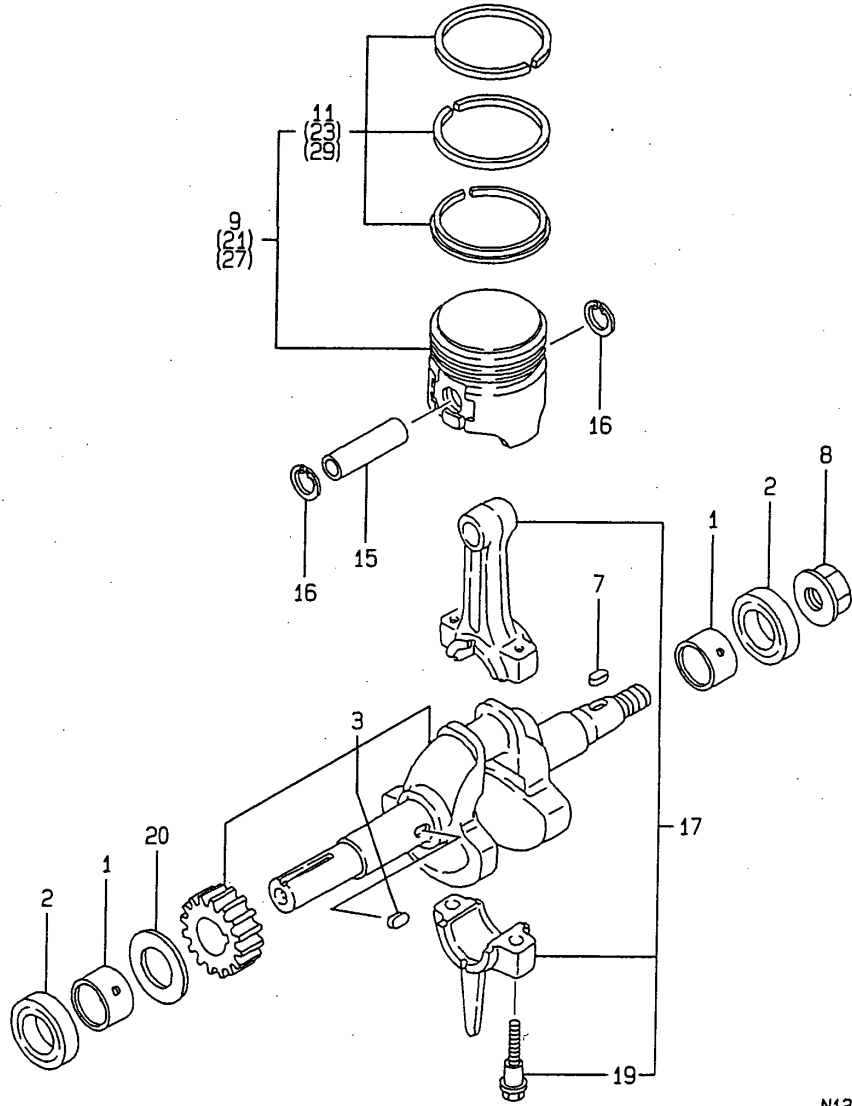
No.	Lev.	Parts No.	Description	Q'ty						I	R
				(A)	(B)	(C)	(D)	(E)	(F)		
1	1	160664-01011	BLOCK ASSY, CYLINDER	1							
6	1	160664-01340	GASKET, HEAD	1							
7	1	160664-01401	COVER, CRANK CASE	1							
8	1	160664-01411	GASKET, CRANK CASE	1							
9	1	160610-01690	PLUG, M12	2							
10	1	160560-01740	CAP ASSY	1							
12	2	24311-000150	O-RING, 1AP15.0	1							
13	1	160610-04360	BOLT, M6X35	6							
14	1	160610-04570	BOLT, M6X70	2							
15	1	104200-59170	GASKET, 12	2							
16	1	22312-060160	PIN, PARALLEL M6X16	2							
17	1	26476-060252	SCREW, TAPPING M6X25	5							
18	1	160662-03010	BREATHER ASSY	1							
21	1	160662-03070	GASKET	1							
22	1	160510-03180	PIPE, BREATHER	1							
23	1	160610-04390	BOLT, M6X32	1							
24	1	26476-060142	SCREW, TAPPING M6X14	2							
25	1	160610-04570	BOLT, M6X70	2							

Remarks

(REMARKS)"EFFECTIVE MACHINE NO." OF ENGINE IS INDICATED ON THE ENGINE LABEL WHICH IS SHOWN IN FIG.6.

Fig.2. CRANKSHAFT & PISTON

2. CRANKSHAFT & PISTON



N128379

Remarks

(1) OVER-SIZED PART.  
 (REMARKS)"EFFECTIVE MACHINE NO." OF  
 ENGINE IS INDICATED ON THE  
 ENGINE LABEL WHICH IS SHOWN  
 IN FIG.6.

(A)=GE20E-DK1

(B)=

(C)=

(D)=

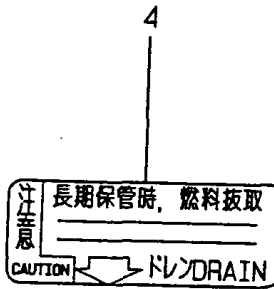
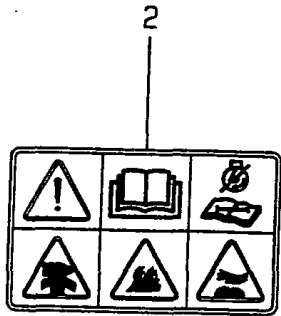
(E)=

(F)=

No.	Lev.	Parts No.	Description	Q'ty						I	R
				(A)	(B)	(C)	(D)	(E)	(F)		
1	1	160664-02100	BEARING, MAIN	2							
2	1	160510-02220	SEAL, TC17306	2							
3	1	760664-21710	CRANKSHAFT ASSY	1							
7	1	160610-21290	KEY, 4X10	1							
8	1	26376-100002	NUT, M10	1							
9	1	160660-22010	PISTON ASSY	1							
11	2	760660-22500	RING SET, PISTON	1							
15	1	160664-22300	PIN, PISTON	1							
16	1	22252-000110	RING, 11	2							
17	1	760664-23710	ROD ASSY, CONNECTING	1							
19	2	160664-23201	BOLT, CONNECTING ROD	2							
20	1	160664-21250	WASHER, THRUST	1							
21	1	160664-22471	PISTON ASSY, 0.25 OS	1							1
23	2	760664-22541	RING SET, 0.25 OS	1							1
27	1	160664-22481	PISTON ASSY, 0.50 OS	1							1
29	2	760664-22551	RING SET, 0.50 OS	1							1

Fig.3. LABEL

3. LABEL



(A)=GE20E-DK1

(B)=

(C)=

(D)=

(E)=

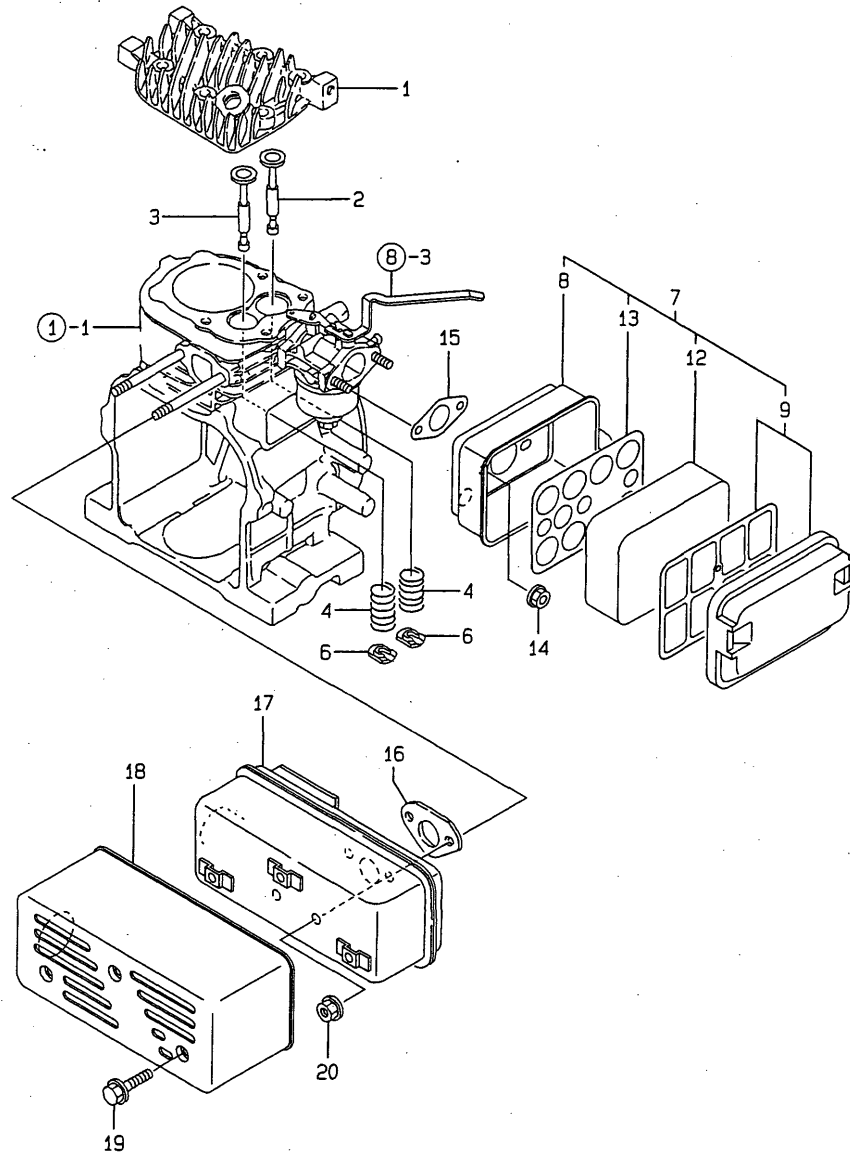
(F)=

No.	Lev.	Parts No.	Description	Q'ty						I	R
				(A)	(B)	(C)	(D)	(E)	(F)		
2	1	160991-07260	LABEL	1							
3	1	160664-07110	LABEL "NICE START"	1							
4	1	160520-07272	LABEL, DRAIN	1							

Remarks  
 (REMARKS)"EFFECTIVE MACHINE NO." OF  
 ENGINE IS INDICATED ON THE  
 ENGINE LABEL WHICH IS SHOWN  
 IN FIG.6.

Fig.4. CYLINDER HEAD&AIR CLEAN.

4. CYLINDER HEAD&AIR CLEAN.



(A)=GE20E-DK1  
(B)=  
(C)=

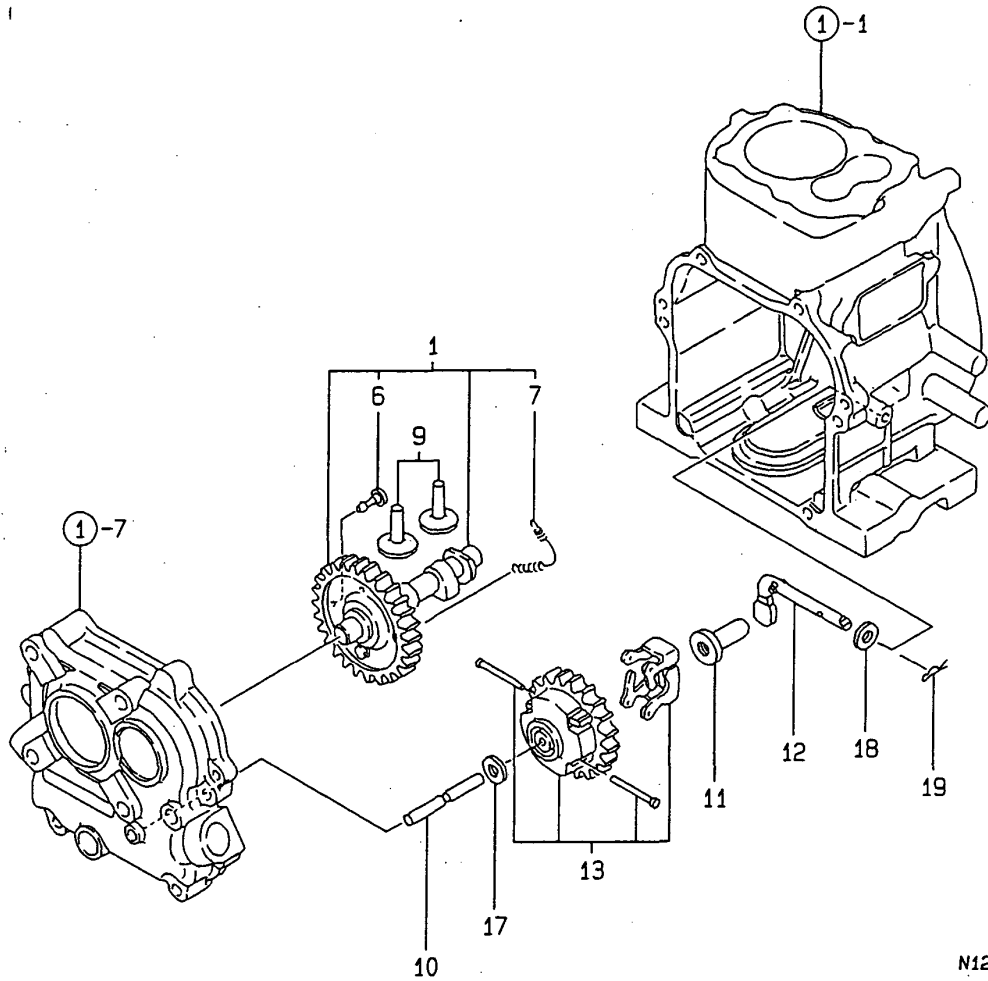
(D)=  
(E)=  
(F)=

No.	Lev.	Parts No.	Description	Q'ty						I	R
				(A)	(B)	(C)	(D)	(E)	(F)		
1	1	160660-11010	HEAD, CYLINDER	1							
2	1	160664-11100	VALVE, INTAKE	1							
3	1	160664-11110	VALVE, EXHAUST	1							
4	1	160490-11120	SPRING, VALVE	2							
6	1	160664-11180	RETAINER, SPRING	2							
7	1	160662-12500	CLEANER ASSY, AIR	1							
8	2	160662-12620	BODY, AIR CLEANER	1							
9	2	160662-12510	CAP, AIR CLEANER	1							
12	2	160520-12540	ELEMENT	1							
13	2	160520-12550	HOLDER, ELEMENT	1							
14	1	26366-060002	NUT, M6	2							
15	1	160510-56151	GASKET, CARBURETOR	1							
16	1	160664-13201	GASKET, SILENCER	1							
17	1	160662-13520	MUFFLER	1							
18	1	160662-13550	COVER	1							
19	1	160999-78970	SCREW, M5X8	3							
20	1	26366-060002	NUT, M6	2							

Remarks  
(REMARKS)"EFFECTIVE MACHINE NO." OF  
ENGINE IS INDICATED ON THE  
ENGINE LABEL WHICH IS SHOWN  
IN FIG.6.

Fig.5. CAMSHAFT&GOVERNOR

5. CAMSHAFT&GOVERNOR



N128382

(A)=GE20E-DK1  
(B)=  
(C)=

(D)=  
(E)=  
(F)=

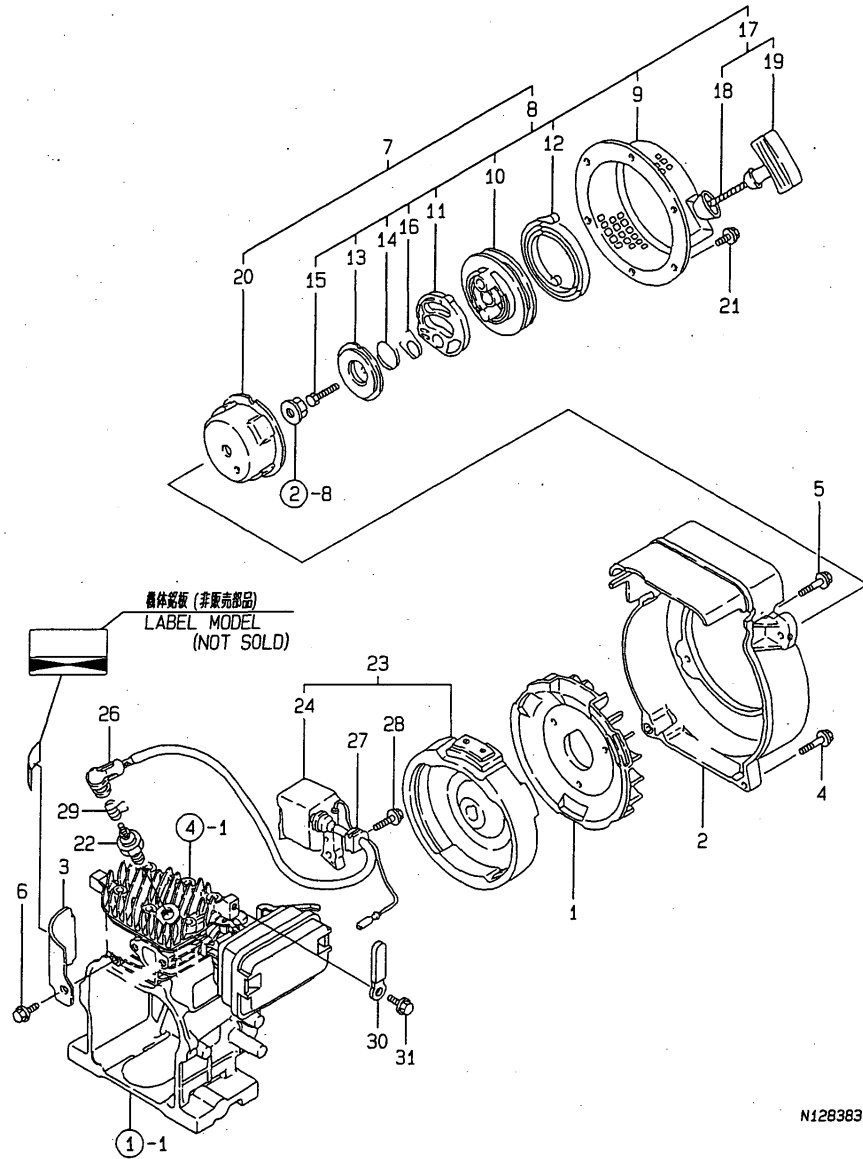
No.	Lev.	Parts No.	Description	Q'ty						I	R
				(A)	(B)	(C)	(D)	(E)	(F)		
1	1	160667-14100	CAMSHAFT ASSY	1							
6	2	160664-14550	PIN	1							
7	2	160664-14560	SPRING, DECOMPRESSION	2							
9	1	160664-14200	TAPPET	2							
10	1	160610-61100	SHAFT, GOVERNOR	1							
11	1	160610-61300	SPINDLE	1							
12	1	160664-61310	SHAFT	1							
13	1	160664-61600	GEAR ASSY, GOVERNOR	1							
17	1	160120-76940	WASHER	1							
18	1	22137-060000	WASHER, 6	1							
19	1	22360-060000	PIN, SNAP 6	1							

Remarks  
(REMARKS)"EFFECTIVE MACHINE NO." OF  
ENGINE IS INDICATED ON THE  
ENGINE LABEL WHICH IS SHOWN  
IN FIG.6.



Fig.6. FLY.MAGNET & STARTING DEVICE

6. FLY.MAGNET & STARTING DEVICE

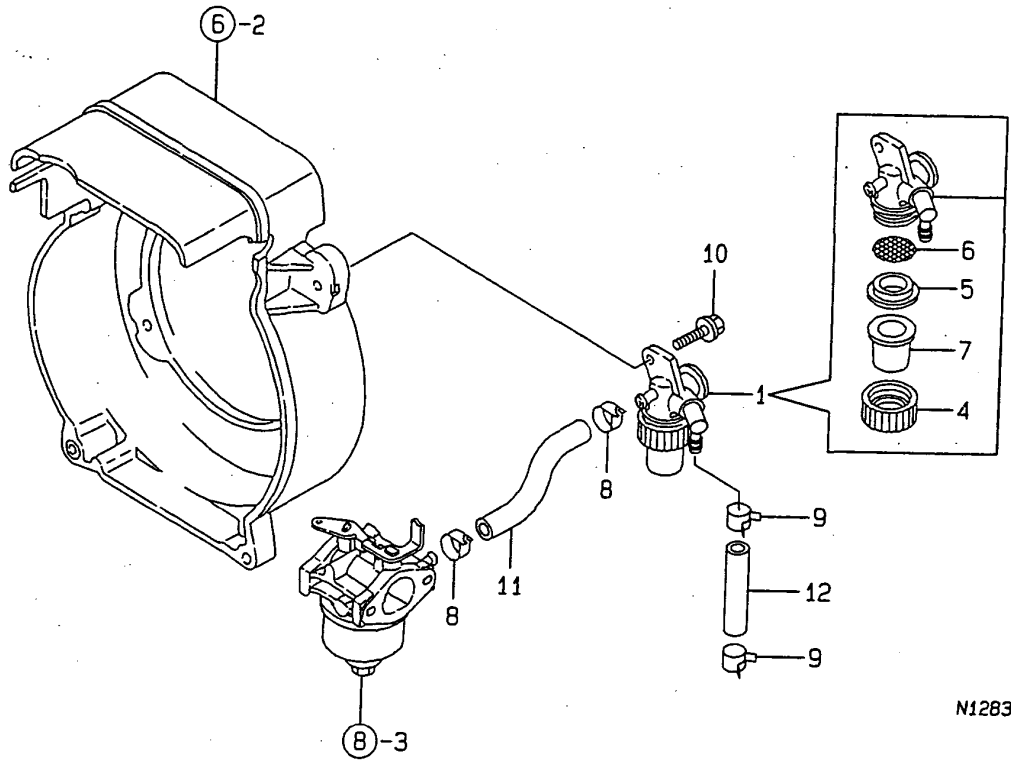


No.	Lev.	Parts No.	Description	Q'ty						I	R
				(A)	(B)	(C)	(D)	(E)	(F)		
1	1	160664-45010	FAN, COOLING	1							
2	1	160662-45110	CASE, COOLING FAN	1							
3	1	160664-45200	COVER	1							
4	1	26476-060252	SCREW, TAPPING M6X25	3							
5	1	26476-060302	SCREW, TAPPING M6X30	1							
6	1	26476-060142	SCREW, TAPPING M6X14	1							
7	1	160664-76050	STARTER ASSY, RECOIL	1							
8	2	160664-76260	STARTER ASSY, RECOIL	1							
9	3	160664-76510	CASE ASSY, STARTER	1							
10	3	160664-76520	REEL	1							
11	3	160664-76530	RATCHET	1							
12	3	160667-76540	SPRING, SPIRAL	1							
13	3	160664-76580	PLATE, FRICTION	1							
14	3	160667-76560	SPRING, FRICTION	1							
15	3	160667-76570	BOLT	1							
16	3	160667-76550	SPRING, RETURN	1							
17	3	160664-76610	ROPE ASSY, STARTER	1							
18	4	160664-76620	ROPE, STARTER	1							
19	4	160664-76630	KNOB, STARTER	1							
20	2	160664-76590	PULLEY, STARTER	1							
21	1	26106-060082	BOLT, M6X 8 PLATED	3							
22	1	160560-78010	PLUG, SPARK BPMR4A	1							
23	1	160667-78060	MAGNETIC ASSY	1							
24	2	160667-78510	COIL, IGNITION	1							
26	1	160520-78050	CAP, PLUG	1							
27	1	160700-78720	GROMMET	1							
28	1	26476-060252	SCREW, TAPPING M6X25	2							
29	1	160700-78050	TERMINAL, PLUG	1							
30	1	160710-78710	CLAMP, CORD	1							
31	1	26476-060142	SCREW, TAPPING M6X14	1							

Remarks  
 (REMARKS)"EFFECTIVE MACHINE NO." OF  
 ENGINE IS INDICATED ON THE  
 ENGINE LABEL WHICH IS SHOWN  
 IN FIG.6.

Fig.7. FUEL PIPE

7. FUEL PIPE



N128384

(A)=GE20E-DK1

(B)=

(C)=

(D)=

(E)=

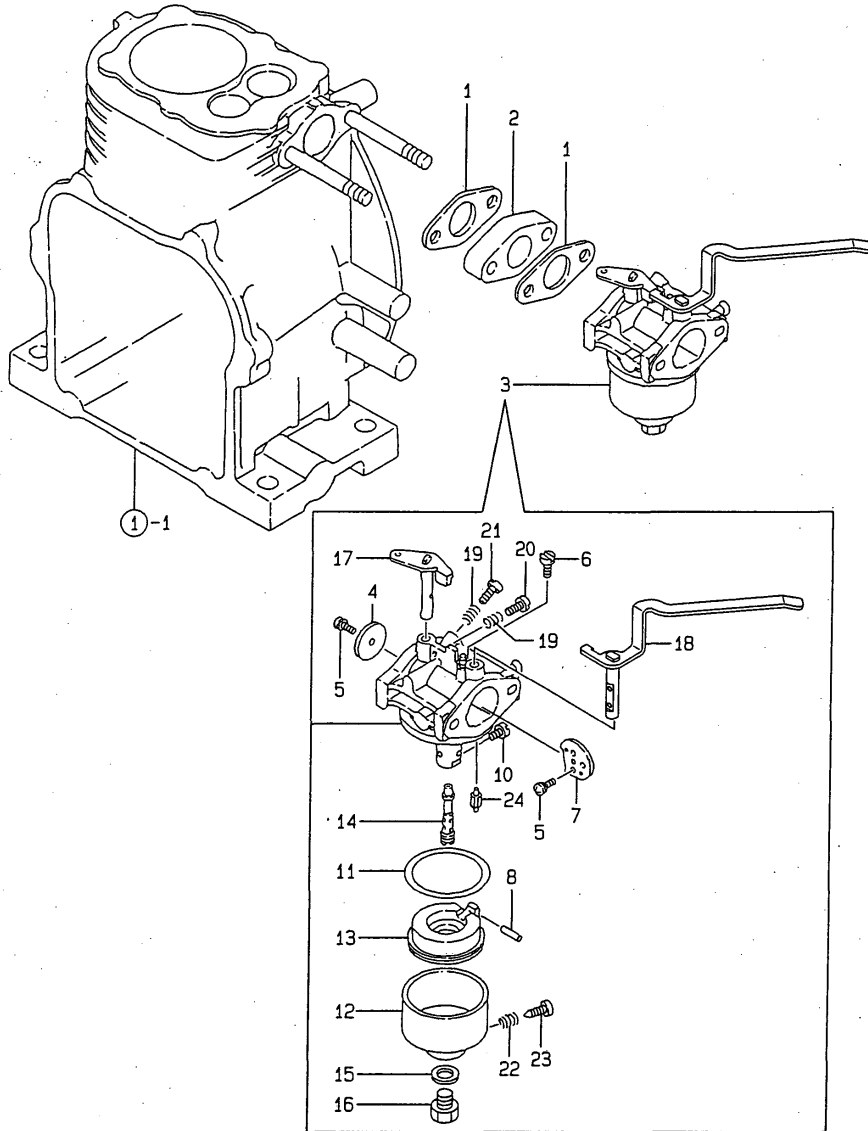
(F)=

No.	Lev.	Parts No.	Description	Q'ty						I	R
				(A)	(B)	(C)	(D)	(E)	(F)		
1	1	160662-55300	COCK ASSY, FUEL	1							
4	2	160710-55360	RING	1							
5	2	160710-55370	GASKET	1							
6	2	160710-55382	FILTER	1							
7	2	160610-55390	CUP, FUEL COCK L37	1							
8	1	124722-59050	CLIP, HOSE 9	2							
9	1	106990-44660	CLIP, HOSE 12.5	2							
10	1	26106-060122	BOLT, M6X 12 PLATED	1							
11	1	160610-59160	PIPE, FUEL	1							
12	1	160693-59350	PIPE, FUEL A-282	1							

Remarks  
 (REMARKS)"EFFECTIVE MACHINE NO." OF  
 ENGINE IS INDICATED ON THE  
 ENGINE LABEL WHICH IS SHOWN  
 IN FIG.6.

# Fig.8. CARBURETOR

## 8. CARBURETOR



N128385

**Remarks**

(1) REPAIR PART.  
 (REMARKS)"EFFECTIVE MACHINE NO." OF  
 ENGINE IS INDICATED ON THE  
 ENGINE LABEL WHICH IS SHOWN  
 IN FIG.6.

(A)=GE20E-DK1

(B)=

(C)=

(D)=

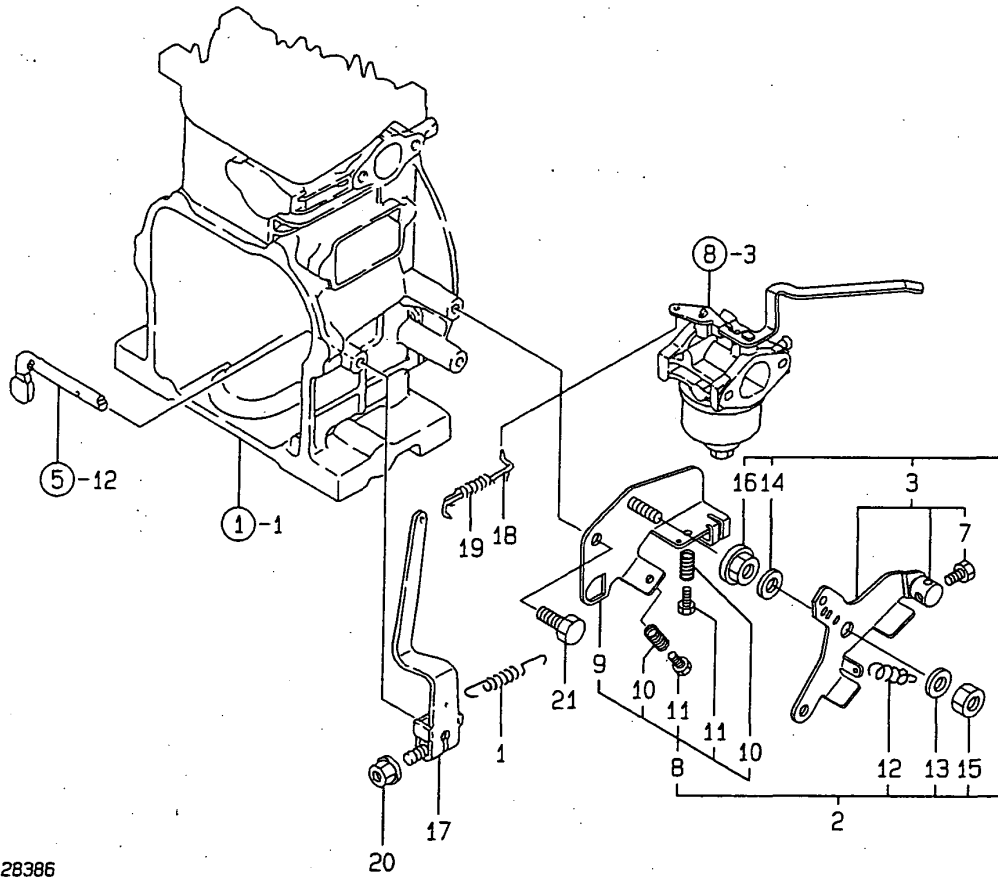
(E)=

(F)=

No.	Lev.	Parts No.	Description	Q'ty						I	R
				(A)	(B)	(C)	(D)	(E)	(F)		
1	1	160664-56151	GASKET, CABURETOR	2							
2	1	160664-56160	SPACER, CARBURETOR	1							
3	1	160662-56021	CARBURETOR ASSY	1							
4	2	160580-56760	VALVE, THROTTLE	1							
5	2	160710-56710	SCREW	1							
6	2	160664-56741	JET, PILOT	1							
7	2	160510-56680	VALVE, CHOKE	1							
8	2	160667-56630	PIN, FLOAT	1							
10	2	160590-56771	JET, MAIN	1							
11	2	160510-56610	GASKET	1							
12	2	160490-56590	BODY, FLOAT	1							
13	2	160510-56620	FLOAT ASSY	1							
14	2	160510-56800	NOZZLE, MAIN	1							
15	2	160495-56600	GASKET	1							
16	2	160490-56600	BOLT	1							
17	2	160510-56770	SHAFT, THROTTLE	1							
18	2	160662-56520	SHAFT, CHOKE	1							
19	2	181130-56640	SPRING	2							
20	2	160610-56370	SCREW	1							
21	2	160610-56750	SCREW	1							
22	2	181230-56380	SPRING	1							
23	2	160610-56900	SCREW	1							
24	1	160510-56280	VALVE ASSY, NEEDLE	1							1

Fig.9. CONTROLLING DEVICE

9. CONTROLLING DEVICE



N128386

(A)=GE20E-DK1  
(B)=  
(C)=

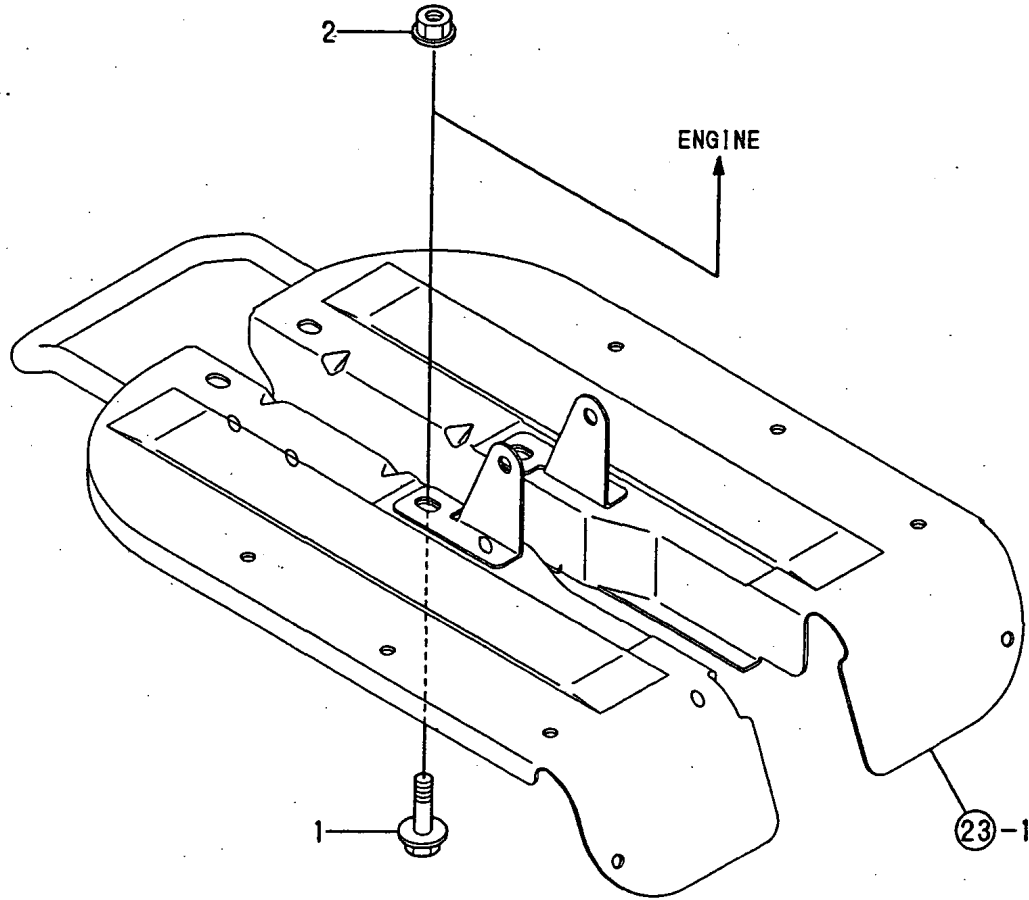
(D)=  
(E)=  
(F)=

No.	Lev.	Parts No.	Description	Q'ty						I	R
				(A)	(B)	(C)	(D)	(E)	(F)		
1	1	160662-66010	SPRING, REGULATOR	1							
2	1	160662-66100	CONTROLLER ASSY	1							
3	2	160692-66051	LEVER ASSY, CONTROL	1							
7	3	26117-040088	BOLT M 4X 8 PLATED	1							
8	2	160662-66110	BASE ASSY	1							
9	3	160662-66120	BASE, CONTROL	1							
10	3	160520-66291	SPRING	2							
11	3	26117-040257	BOLT, M4X 25 PLATED	2							
12	2	160664-66220	SPRING, RETURN	1							
13	2	160670-66350	COLLAR	1							
14	2	160120-76940	WASHER	1							
15	2	26347-060002	NUT, M6	1							
16	2	26366-060002	NUT, M6	1							
17	1	160662-66150	LEVER, GOVERNOR	1							
18	1	160664-66200	LINK, THROTTLE	1							
19	1	160664-66211	SPRING, THROTTLE	1							
20	1	26366-060002	NUT, M6	1							
21	1	26476-060142	SCREW, TAPPING M6X14	1							

Remarks  
(REMARKS)"EFFECTIVE MACHINE NO." OF  
ENGINE IS INDICATED ON THE  
ENGINE LABEL WHICH IS SHOWN  
IN FIG.6.

Fig.10. ENGINE MOUNTING

10. ENGINE MOUNTING



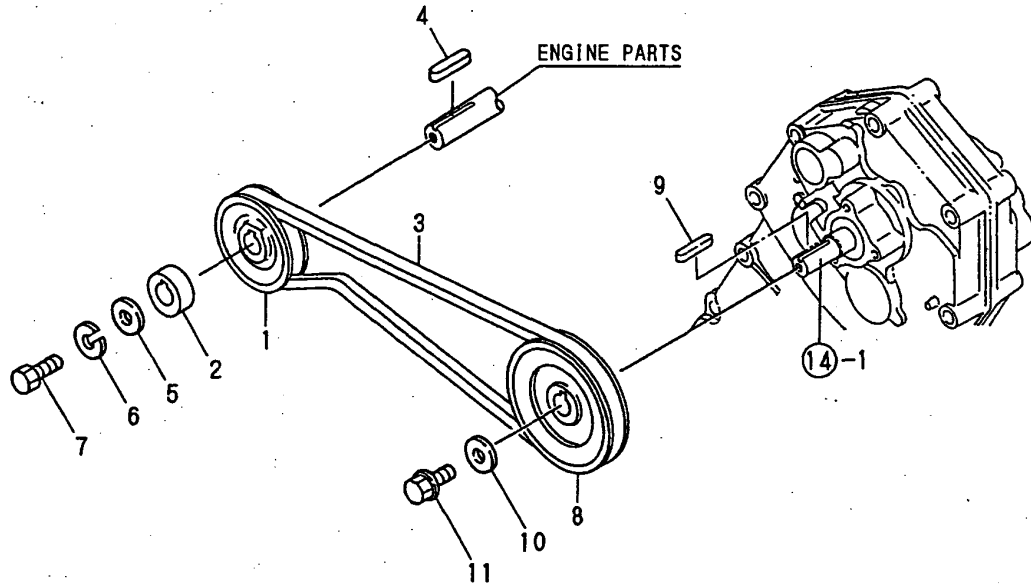
(A)=TE200  
(B)=  
(C)=

(D)=  
(E)=  
(F)=

No.	Lev.	Parts No.	Description	Q'ty						I	R
				(A)	(B)	(C)	(D)	(E)	(F)		
1	1	26107-080302	BOLT M 8X 30 PLATED	4							
2	1	26367-080002	NUT, M8	4							

Fig.11. ENGINE & MAIN PULLEYS

11. ENGINE & MAIN PULLEYS



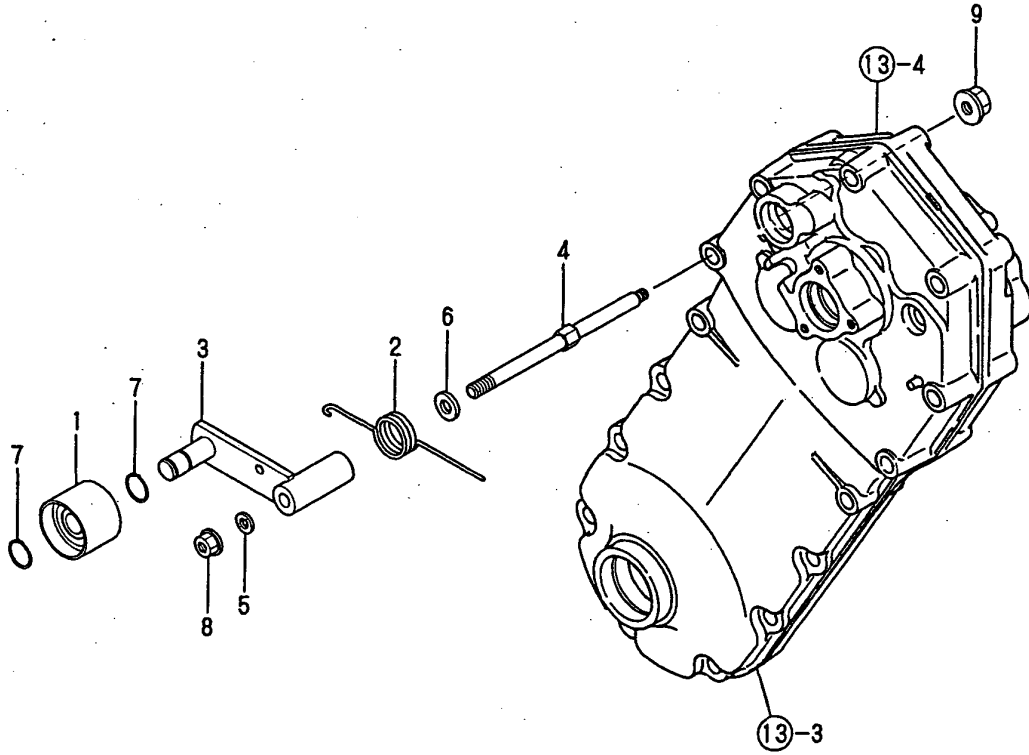
(A)=TE200  
(B)=  
(C)=

(D)=  
(E)=  
(F)=

No.	Lev.	Parts No.	Description	Q'ty						I	R
				(A)	(B)	(C)	(D)	(E)	(F)		
1	1	1A2190-12100	V-PULLEY 65A	1							
2	1	1A2190-12110	COLLAR,PULLEY	1							
3	1	25112-002900	V-BELT, A29	1							
4	1	1D1630-51050	KEY 4X25	1							
5	1	22157-060000	WASHER, 6	1							
6	1	22217-060000	WASHER, SPRING 6	1							
7	1	26117-060162	BOLT M 6X 16 PLATED	1							
8	1	1A2190-13300	V-PULLEY 90A	1							
9	1	1D1630-51050	KEY 4X25	1							
10	1	22157-060000	WASHER, 6	1							
11	1	26107-060122	BOLT M 6X 12 PLATED	1							

Fig.12. TENSION CLUTCH

12. TENSION CLUTCH



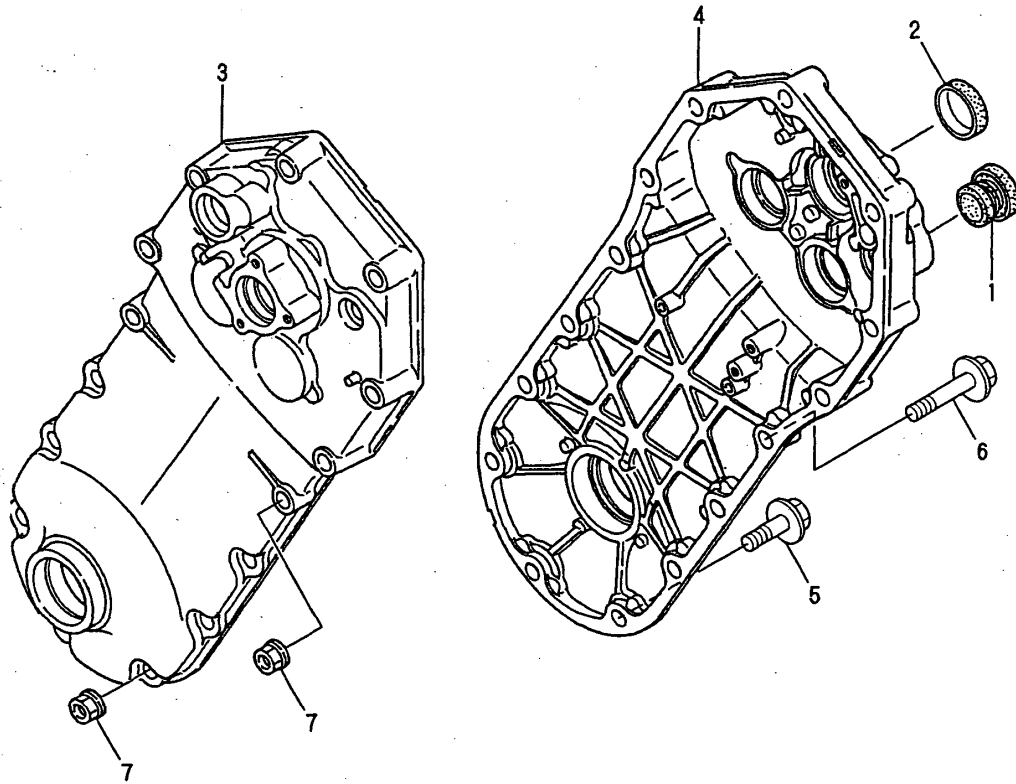
(A)=TE200  
(B)=  
(C)=

(D)=  
(E)=  
(F)=

No.	Lev.	Parts No.	Description	Q'ty						I	R
				(A)	(B)	(C)	(D)	(E)	(F)		
1	1	1A2320-13100	ROLLER COMP.,TENSION	1							
2	1	1A2191-13401	SPRING,TENS'N RETURN	1							
3	1	1A2191-13610	ARM COMP.,TENSION	1							
4	1	1A2191-13700	BOLT,TENSION	1							
5	1	22137-060000	WASHER, 6	1							
6	1	22137-080000	WASHER, 8	1							
7	1	22242-000120	RING, 12	2							
8	1	26367-060002	NUT, M6	1							
9	1	26367-080002	NUT, M8	1							

Fig.13. TRANSMISSION CASE

13. TRANSMISSION CASE



(A)=TE200  
(B)=  
(C)=

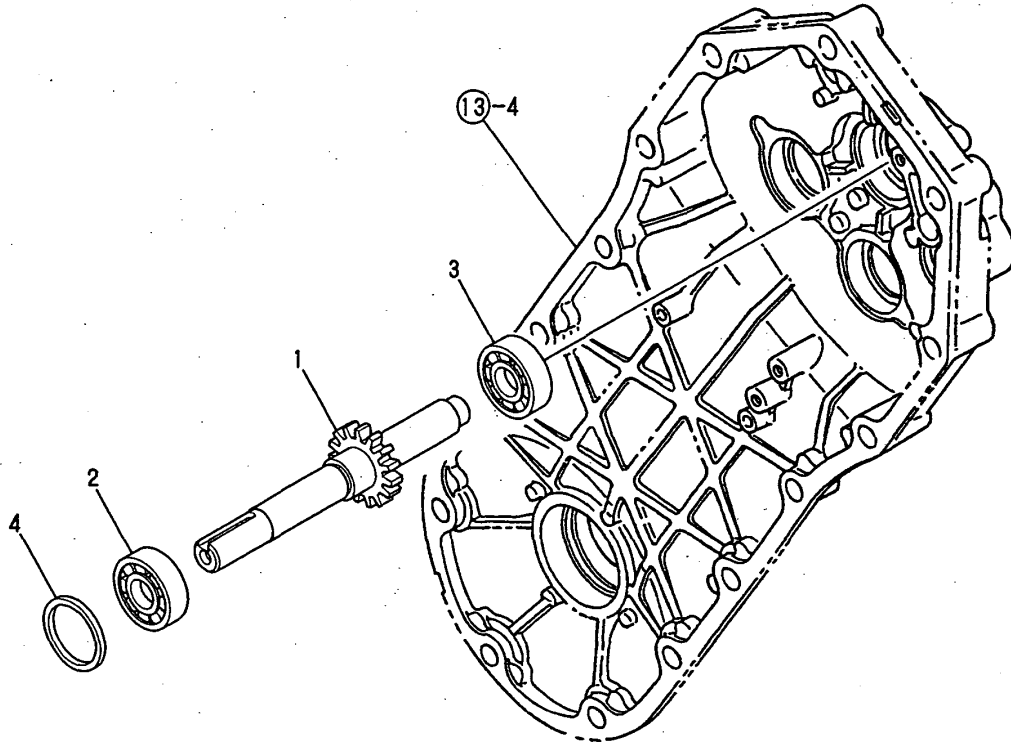
(D)=  
(E)=  
(F)=

No.	Lev.	Parts No.	Description	Q'ty						I	R
				(A)	(B)	(C)	(D)	(E)	(F)		
1	1	1A1470-20090	CAP 35,OIL FILLER	1							
2	1	1A1750-20410	CAP 30X5,SEAL	1							
3	1	1A2190-21000	CASE L,TRANSMISSION	1							
4	1	1A2190-21010	CASE R,TRANSMISSION	1							
5	1	26107-080252	BOLT M 8X 25 PLATED	7							
6	1	26107-080452	BOLT M 8X 45 PLATED	1							
7	1	26367-080002	NUT, M8	8							



Fig.14. MAIN SHAFT

14. MAIN SHAFT



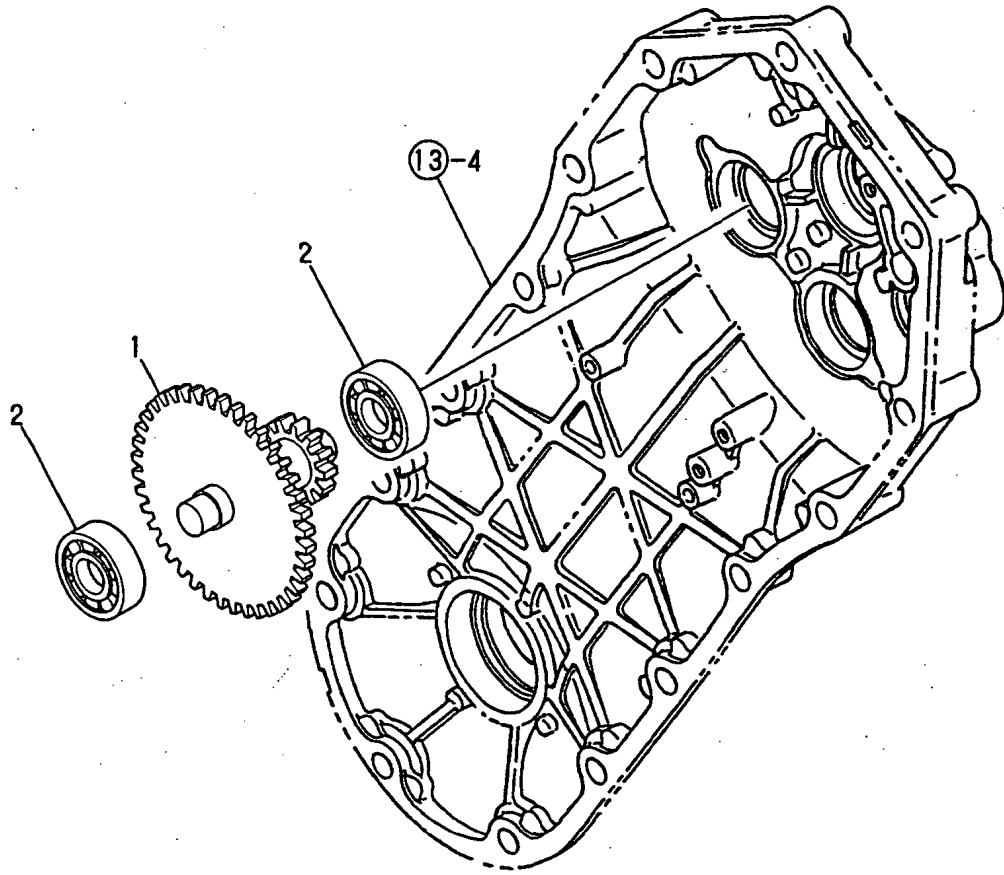
(A)=TE200  
(B)=  
(C)=

(D)=  
(E)=  
(F)=

No.	Lev.	Parts No.	Description	Q'ty						I	R
				(A)	(B)	(C)	(D)	(E)	(F)		
1	1	1A2191-23050	SHAFT,MAIN	1							
2	1	24101-060024	BEARING, BALL 6002	1							
3	1	24101-062014	BEARING, BALL 6201	1							
4	1	24421-152507	SEAL, OIL TC152507	1							

Fig.15. COUNTER SHAFT

15. COUNTER SHAFT



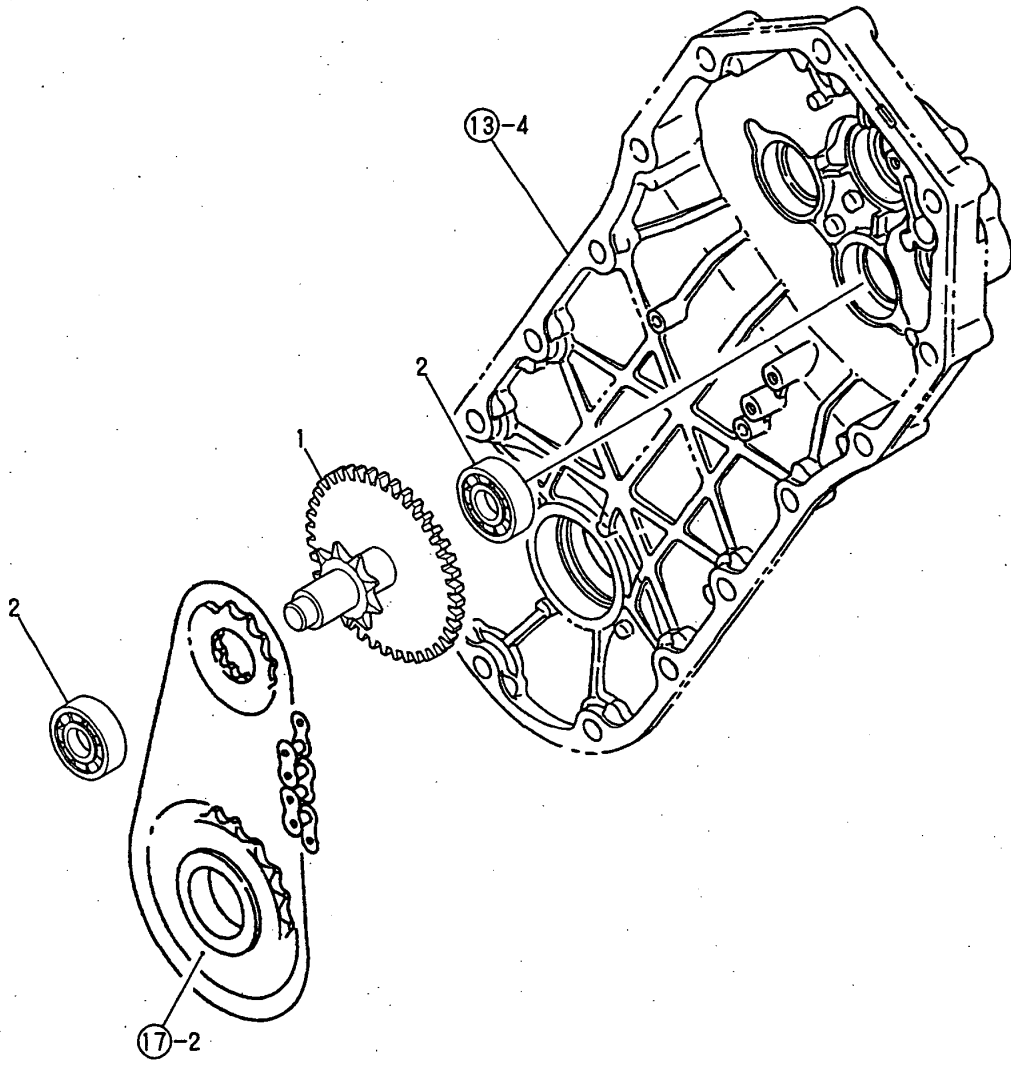
(A)=TE200  
(B)=  
(C)=

(D)=  
(E)=  
(F)=

No.	Lev.	Parts No.	Description	Q'ty						I	R
				(A)	(B)	(C)	(D)	(E)	(F)		
1	1	1A2191-23100	SHAFT COMP.,COUNTER	1							
2	1	24101-062014	BEARING, BALL 6201	2							

Fig.16. SPEED REDUCTION SHAFT

16. SPEED REDUCTION SHAFT



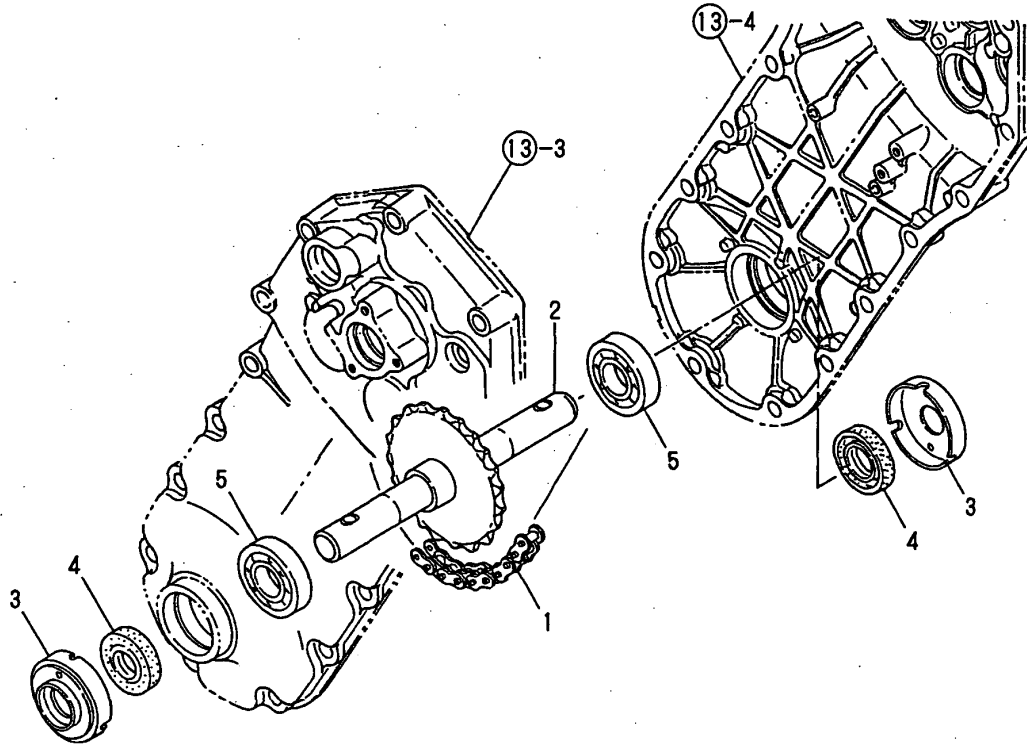
(A)=TE200  
(B)=  
(C)=

(D)=  
(E)=  
(F)=

No.	Lev.	Parts No.	Description	Q'ty						I	R
				(A)	(B)	(C)	(D)	(E)	(F)		
1	1	1A2191-23300	SHAFT COMP.,FINAL	1							
2	1	24101-062014	BEARING, BALL 6201	2							

Fig.17. AXLE

17. AXLE



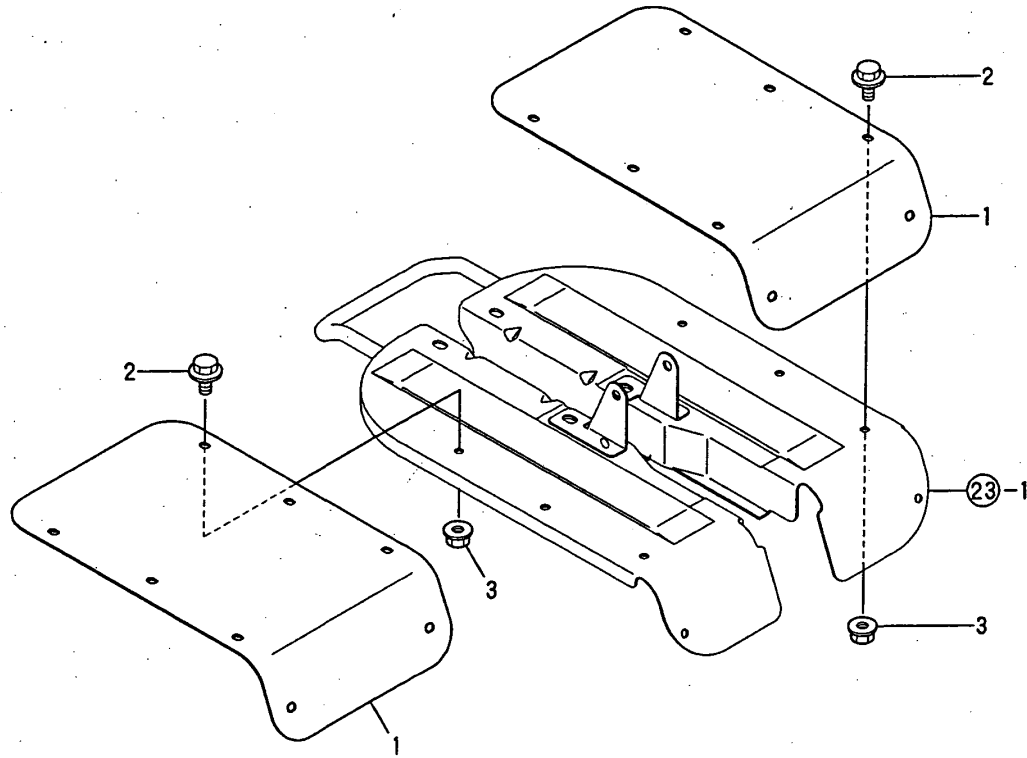
(A)=TE200  
(B)=  
(C)=

(D)=  
(E)=  
(F)=

No.	Lev.	Parts No.	Description	Q'ty						I	R
				(A)	(B)	(C)	(D)	(E)	(F)		
1	1	1A1750-20180	CHAIN 12.7X56,ROLLER	1							
2	1	1A1750-20201	AXLE COMPL.	1							
3	1	1A1750-20440	COVER.COMP,AXLE BOSS	2							
4	1	1A1750-20491	OIL SEAL 20 40 10	2							
5	1	24101-062044	BEARING, BALL 6204	2							

Fig.18. FENDER

18. FENDER



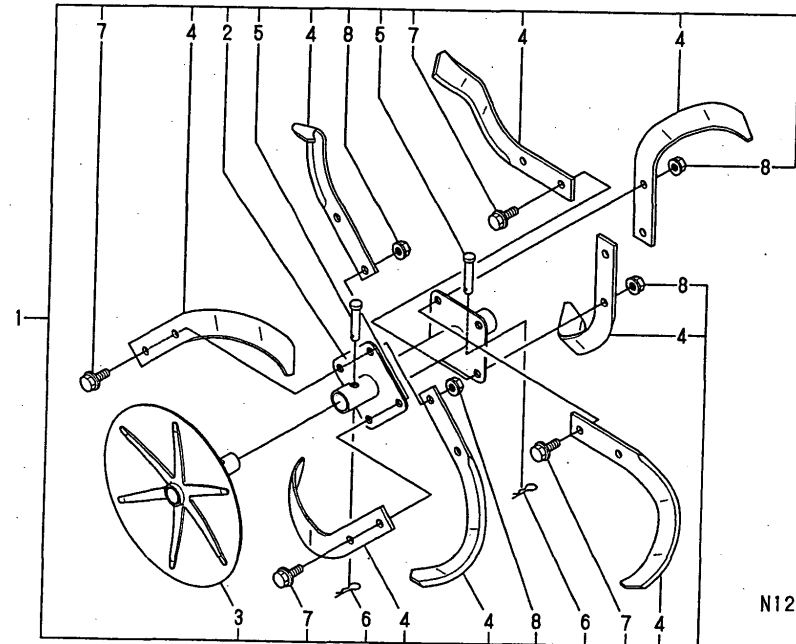
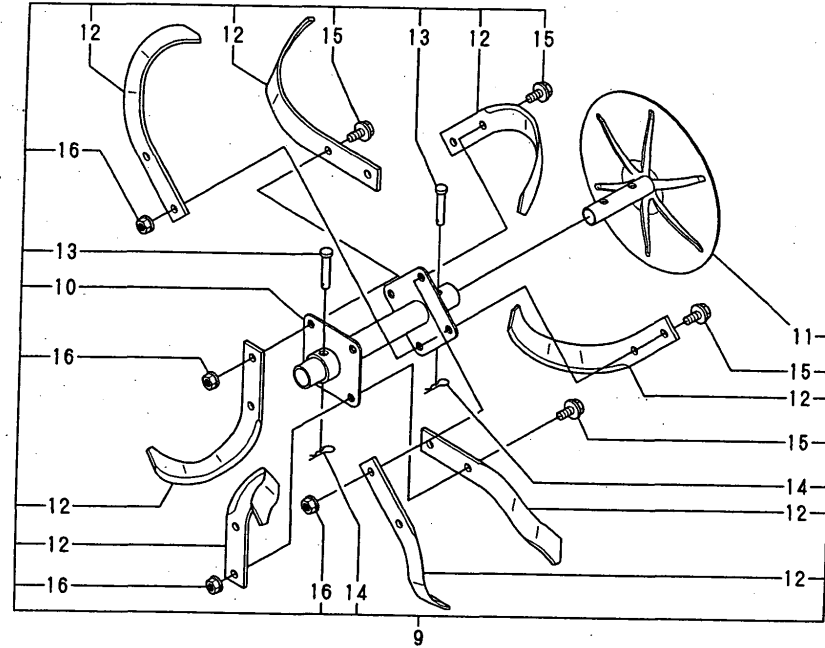
(A)=TE200  
(B)=  
(C)=

(D)=  
(E)=  
(F)=

No.	Lev.	Parts No.	Description	Q'ty						I	R
				(A)	(B)	(C)	(D)	(E)	(F)		
1	1	1A2191-32100	FENDER,EXTENSION	2							
2	1	26107-060122	BOLT M 6X 12 PLATED	8							
3	1	26367-060002	NUT, M6	8							

Fig.19. AXLE ROTOR

19. AXLE ROTOR



N128405

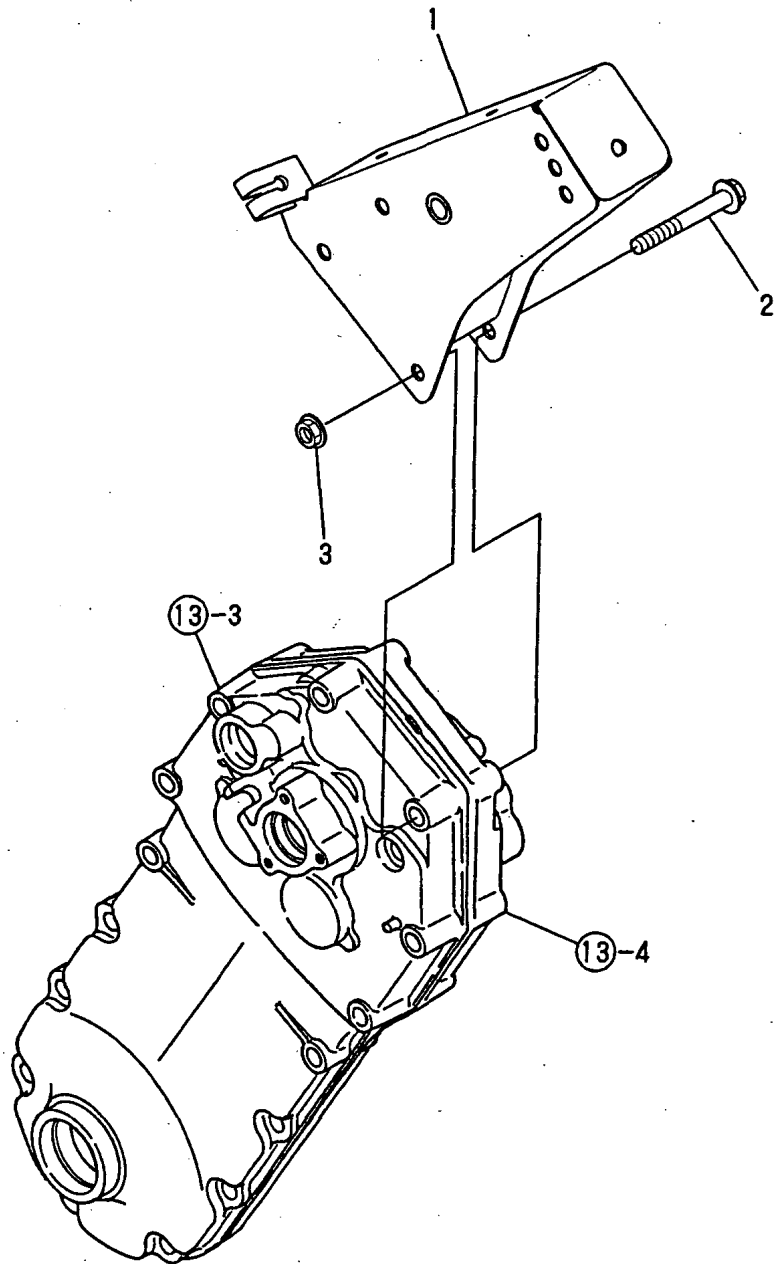
(A)=TE200  
(B)=  
(C)=

(D)=  
(E)=  
(F)=

No.	Lev.	Parts No.	Description	Qty						I	R
				(A)	(B)	(C)	(D)	(E)	(F)		
1	1	1A2191-35000	ROTOR L ASSY	1							
2	2	1A2191-35100	SHAFT CMP.,INTG.TINE	1							
3	2	1A2190-35300	DISC COMP., CLUTCH	1							
4	2	1A1540-43310	TAIN, ROTOR	8							
5	2	1A1540-46010	PIN 8X35, FLAT HEAD	2							
6	2	1A1540-46020	PIN 8, SNAP	2							
7	2	26107-080202	BOLT M 8X 20 PLATED	8							
8	2	26367-080002	NUT, M8	8							
9	1	1A2191-35050	ROTOR R ASSY	1							
10	2	1A2191-35100	SHAFT CMP.,INTG.TINE	1							
11	2	1A2190-35300	DISC COMP., CLUTCH	1							
12	2	1A1540-43310	TAIN, ROTOR	8							
13	2	1A1540-46010	PIN 8X35, FLAT HEAD	2							
14	2	1A1540-46020	PIN 8, SNAP	2							
15	2	26107-080202	BOLT M 8X 20 PLATED	8							
16	2	26367-080002	NUT, M8	8							

Fig.20. HANDLE COLUMN

20. HANDLE COLUMN



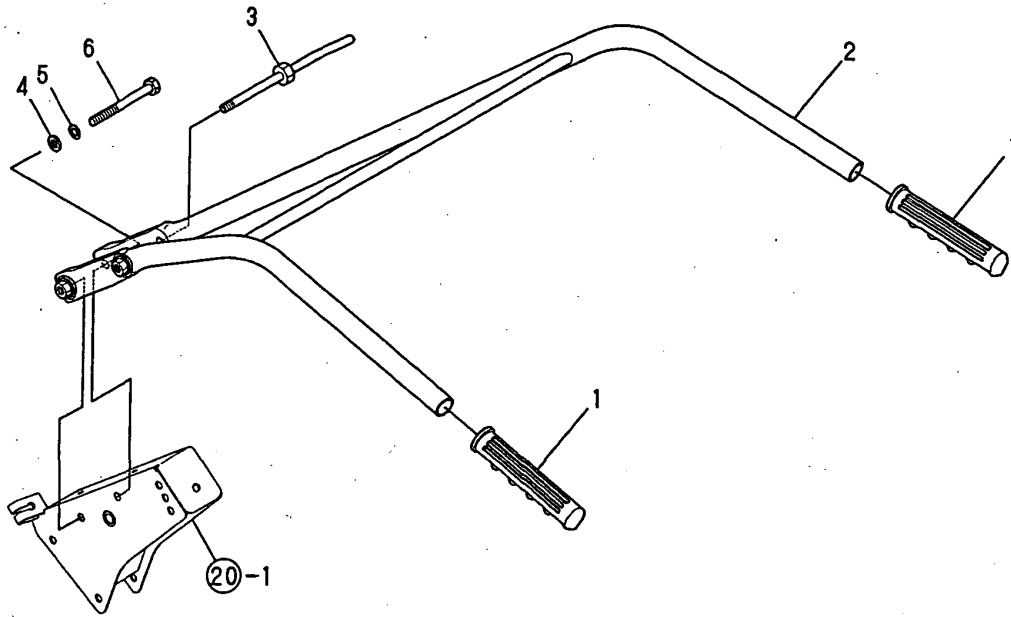
(A)=TE200  
(B)=  
(C)=

(D)=  
(E)=  
(F)=

No.	Lev.	Parts No.	Description	Q'ty						I	R
				(A)	(B)	(C)	(D)	(E)	(F)		
1	1	1A2191-51000	FRAME COMP.,HANDLE	1							
2	1	26107-080602	BOLT M 8X 60 PLATED	2							
3	1	26367-080002	NUT, M8	2							

Fig.21. HANDLE

21. HANDLE



(A)=TE200  
(B)=  
(C)=

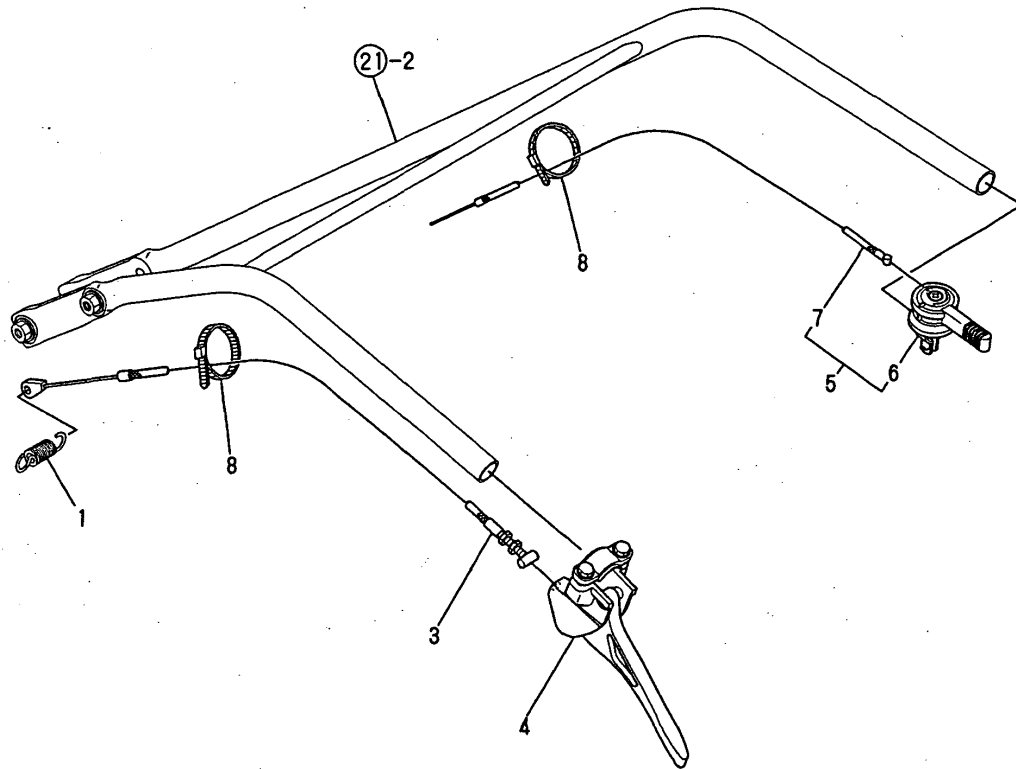
(D)=  
(E)=  
(F)=

No.	Lev.	Parts No.	Description	Q'ty						I	R
				(A)	(B)	(C)	(D)	(E)	(F)		
1	1	1C6080-51310	GRIP, HANDLE	2							
2	1	1A2191-51500	HANDLE COMPL.	1							
3	1	1A2191-51600	BOLT COMP.,HANDLE	1							
4	1	22137-080000	WASHER, 8	2							
5	1	22287-080000	WASHER, 8	2							
6	1	26117-080802	BOLT, M8X 80 PLATED	1							



Fig.22. COTROL LEVER(E)

22. CONTROL LEVER



(A)=TE200  
(B)=  
(C)=

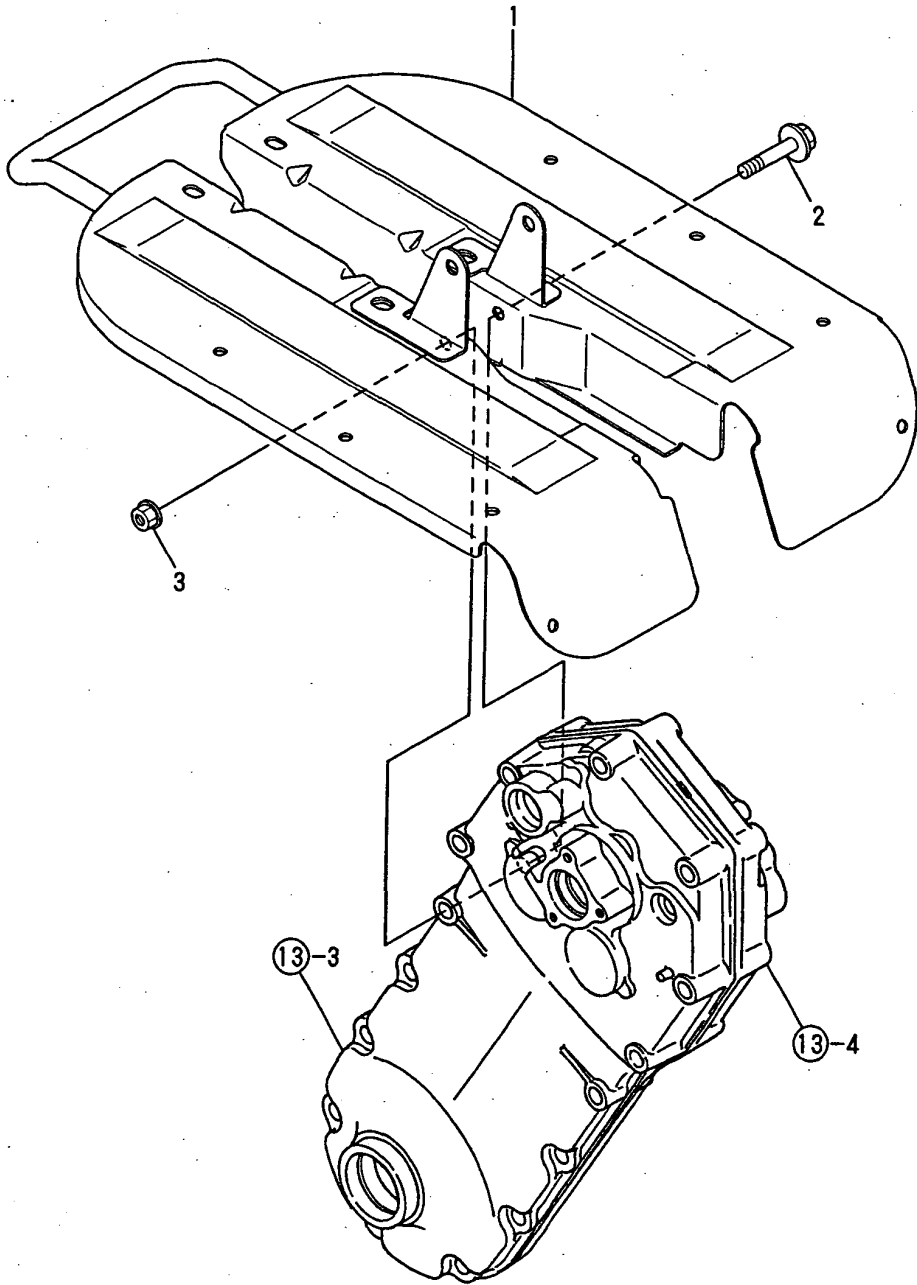
(D)=  
(E)=  
(F)=

No.	Lev.	Parts No.	Description	Q'ty						I	R	
				(A)	(B)	(C)	(D)	(E)	(F)			
1	1	1A1400-16000	SPRING 17.2X59	1								
2	1	1A2191-55500	SPRING,ACCEL.RETURN	1							Z	1
(A='FORM 1ST)												
2-1	1	1A2191-55501	SPRING,ACCEL.RETURN	1								S
(A=F002336)												
3	1	1A2191-55520	WIRE,MAIN CLUTCH	1								
4	1	1A2191-55550	LEVER,CLUTCH	1								
5	1	1A2191-55570	LEVER ASSY.,ACCEL.	1								
6	2	1A2191-55581	LEVER,ACCELERATOR	1								
7	2	1A2191-55590	WIRE ACCELE	1								
8	1	1A2320-55600	BAND, CABLE	2								

Remarks  
(1)NOT ILLUSTRATED.

Fig.23. ENGINE FRAME

23. ENGINE FRAME



(A)=TE200  
(B)=  
(C)=

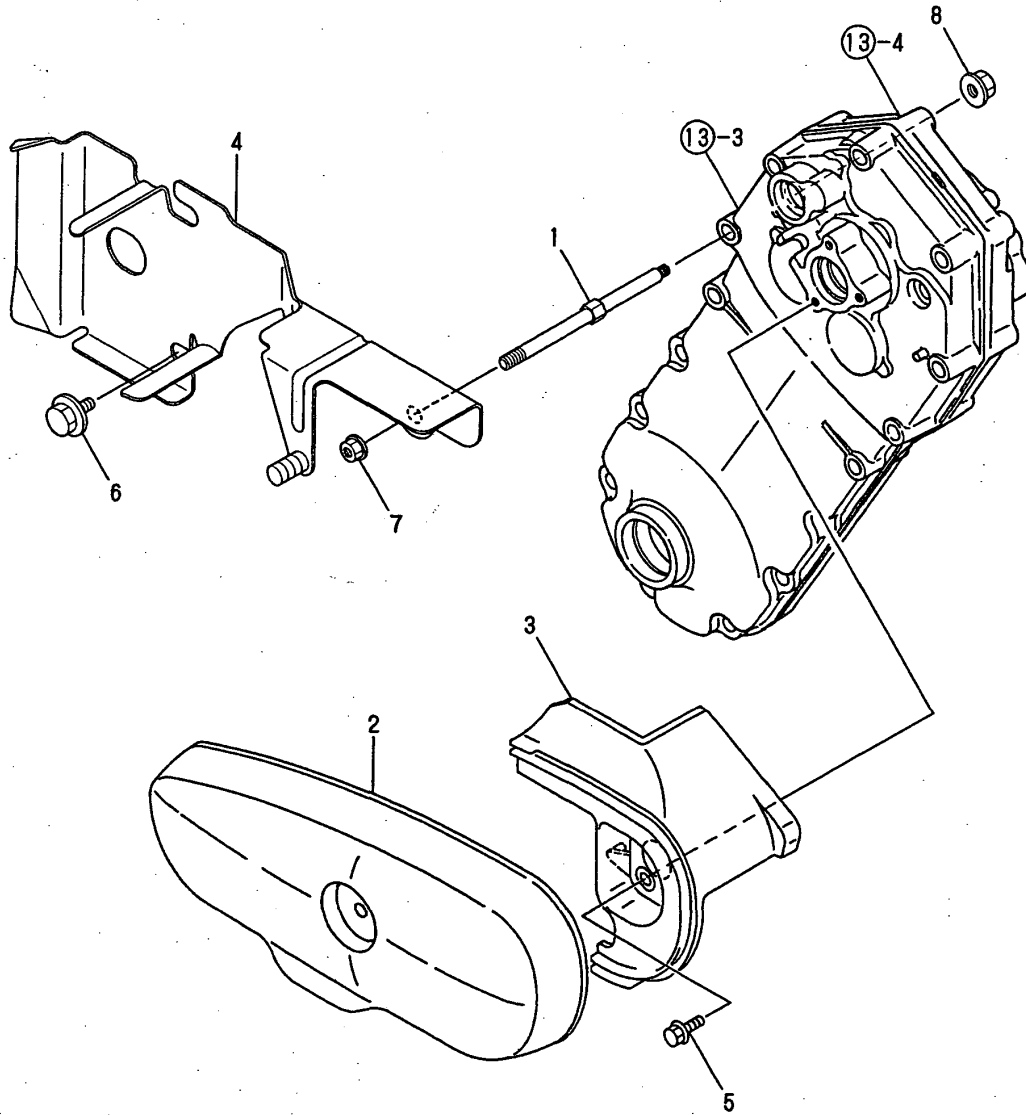
(D)=  
(E)=  
(F)=

No.	Lev.	Parts No.	Description	Qty						I	R
				(A)	(B)	(C)	(D)	(E)	(F)		
1	1	1A2191-61200	FRAME COMP.,FENDER	1							
2	1	26107-080452	BOLT M 8X 45 PLATED	1							
3	1	26367-080002	NUT, M8	1							



# Fig.25. BELT COVER

## 25. BELT COVER



(A)=TE200  
(B)=  
(C)=

(D)=  
(E)=  
(F)=

No.	Lev.	Parts No.	Description	Q'ty						I	R
				(A)	(B)	(C)	(D)	(E)	(F)		
1	1	1A2191-13700	BOLT,TENSION	1							
2	1	1A2190-62000	BELT COVER	1							
3	1	1A2190-62300	COVER, FLYWHEEL	1							
4	1	1A2191-63000	SUPPORT COMPL.	1							
5	1	1A1750-90200	SCREW 6X12,COLLAR HD	3							
6	1	26107-080122	BOLT M 8X 12 PLATED	3							
7	1	26367-060002	NUT, M6	1							
8	1	26367-080002	NUT, M8	1							

Fig.26. FUEL TANK

(A)=TE200

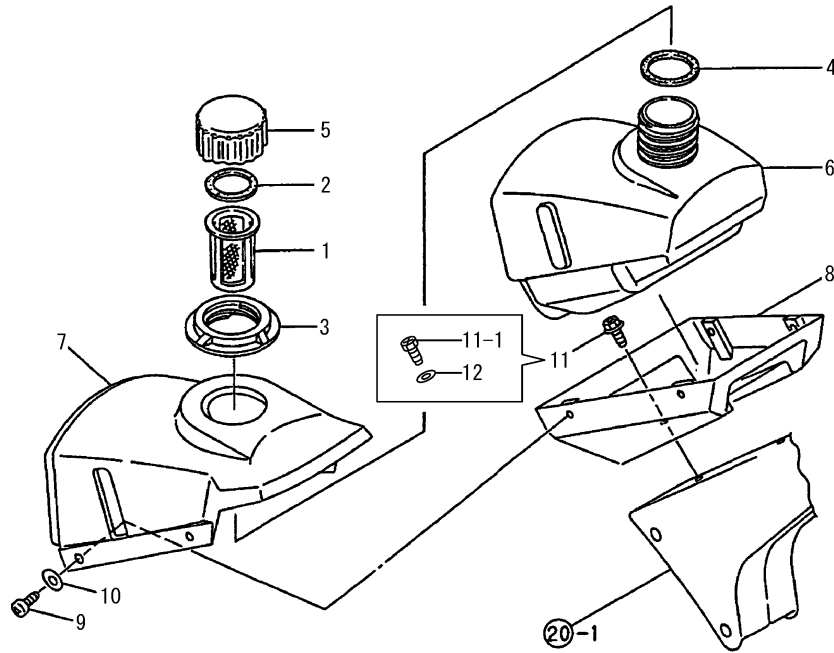
(B)=

(C)=

(D)=

(E)=

(F)=

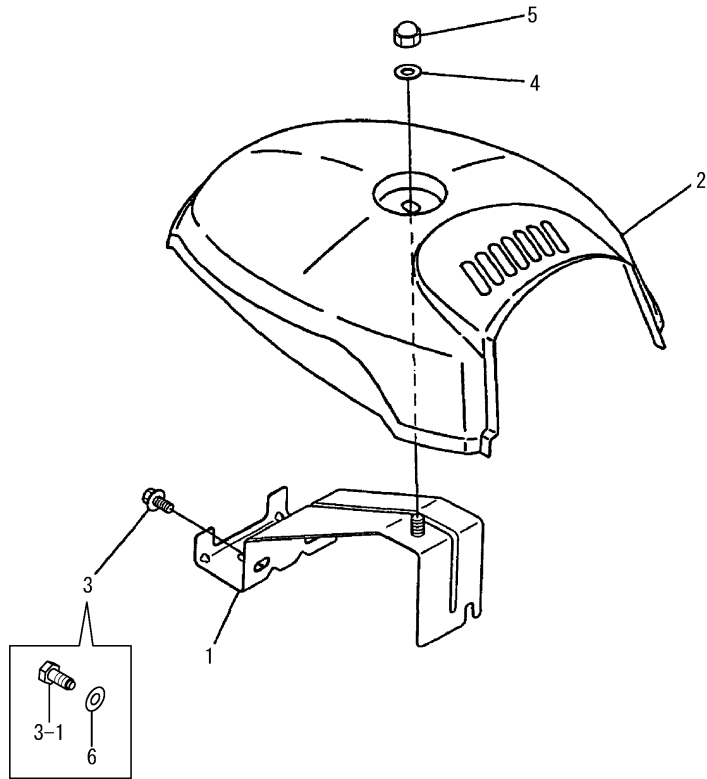


No.	Lev.	Parts No.	Description	Qty						I	R
				(A)	(B)	(C)	(D)	(E)	(F)		
1	1	1D2042-41200	STRAINER,FUEL	1							
2	1	1D2040-48010	PACKING,FUEL TK.CAP	1							
3	1	1A1540-62110	RING,MOUNTING	1							
4	1	1A1540-62140	CUSHION,TANK	1							
5	1	1A1540-62170	CAP,FUEL TANK	1							
6	1	1A2190-63010	TANK, FUEL	1							
7	1	1A2190-63050	COVER, HANDLE	1							
8	1	1A2190-63100	COVER,FUEL TANK LOWR	1							
9	1	1A2190-63150	SCREW M5X10,TAPPING	4							
10	1	1A1750-90150	WASHER 5,PLAIN	4							
11	1	1A1750-90200	SCREW 6X12,COLLAR HD	2							
11-1	1	1A2252-64300	BOLT, 6X14	2							F 1
		(A=FXXXXX)									
12	1	1A1750-90160	WASHER 6, PLAIN	2							W
		(A=FXXXXX)									

Remarks

(1)Interchangeable by simultaneous replacement with Ref.No.11-1 & 12.

Fig.27. BONNET W



(A)=TE200  
(B)=  
(C)=

(D)=  
(E)=  
(F)=

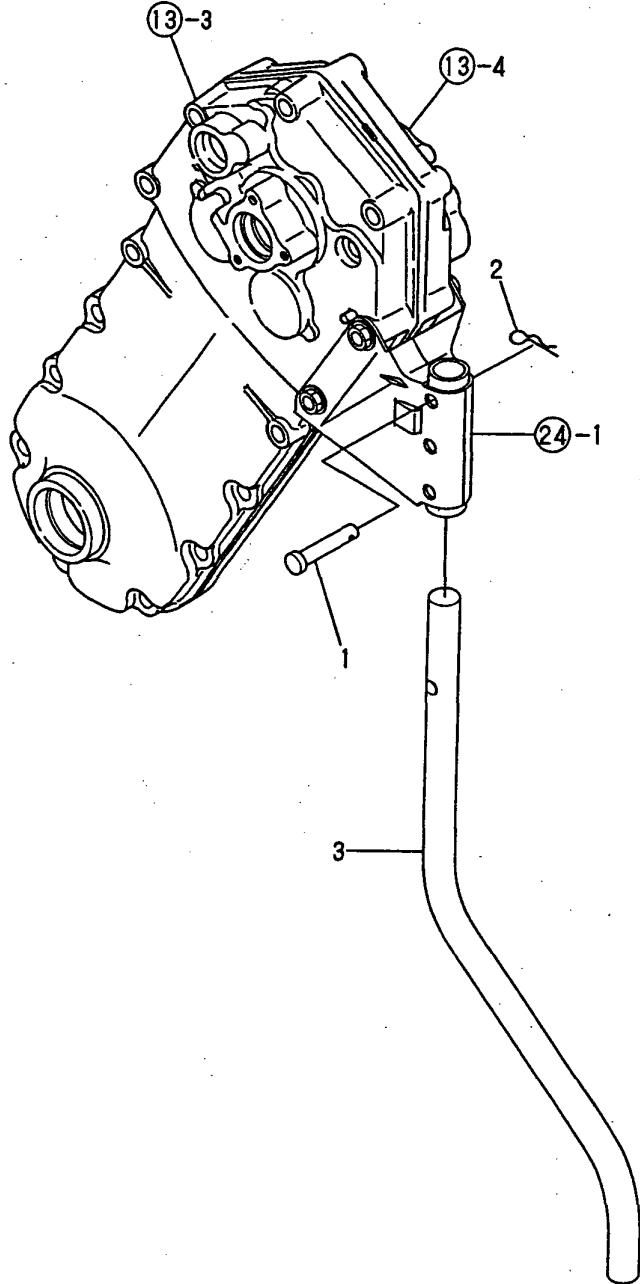
No.	Lev.	Parts No.	Description	Q'ty						I	R
				(A)	(B)	(C)	(D)	(E)	(F)		
1	1	1A2191-64001	STAY COMP.,BONNET	1							
2	1	1A2190-64010	BONNET GA	1							
3	1	1A1750-90200	SCREW 6X12,COLLAR HD	2							
3-1	1	1A2252-64300 (A=FXXXXX)	BOLT, 6X14	2						F	1
4	1	22137-080000	WASHER, 8	1							
5	1	26658-080002	NUT, CAP M8	1							
6	1	1A1750-90160 (A=FXXXXX)	WASHER 6, PLAIN	2							W

Remarks

(1)Interchangeable by simultaneous replacement with Ref.No.3-1 & 6.

Fig.28. SKID

28. SKID



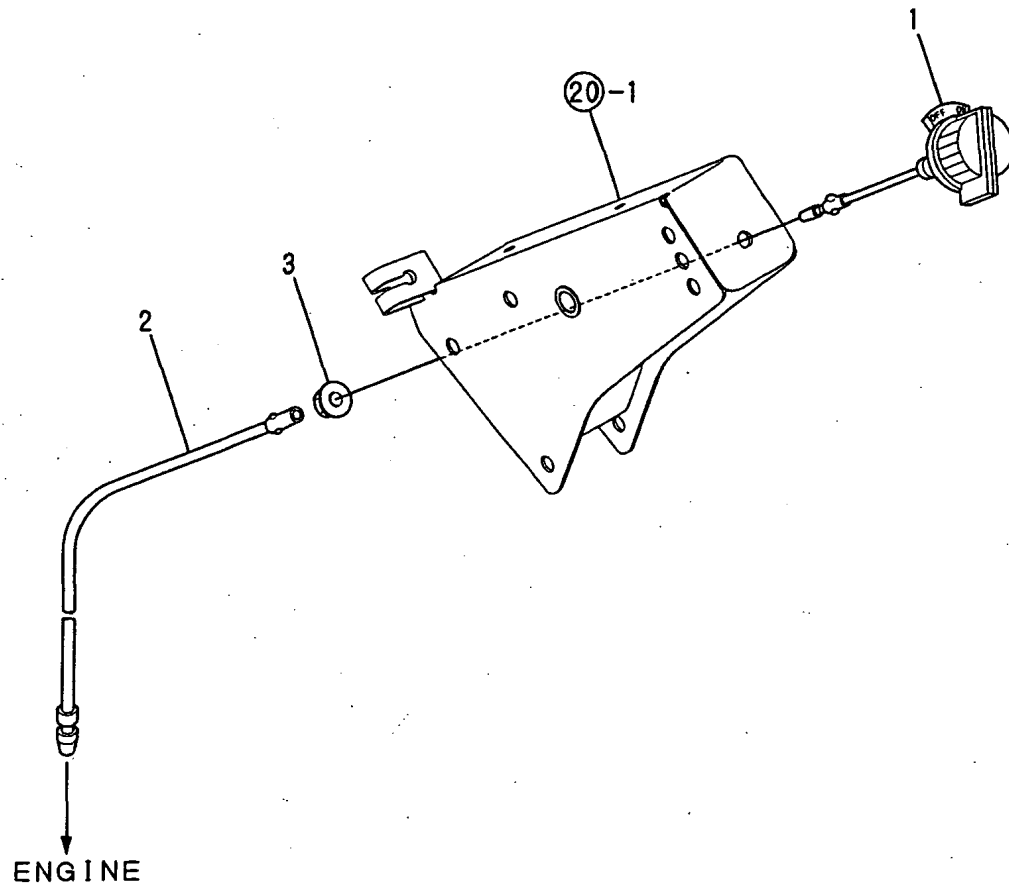
(A)=TE200  
(B)=  
(C)=

(D)=  
(E)=  
(F)=

No.	Lev.	Parts No.	Description	Q'ty						I	R
				(A)	(B)	(C)	(D)	(E)	(F)		
1	1	1A1540-46010	PIN 8X35,FLAT HEAD	1							
2	1	1C6141-47970	PIN, SNAP 8	1							
3	1	1A1750-70000	BAR,RESISTANCE	1							

### Fig.29. ELECTRICAL PARTS

### 29 . ELECTRICAL PARTS



(A)=TE200

(B)=

(C)=

(D)=

(E)=

(F)=

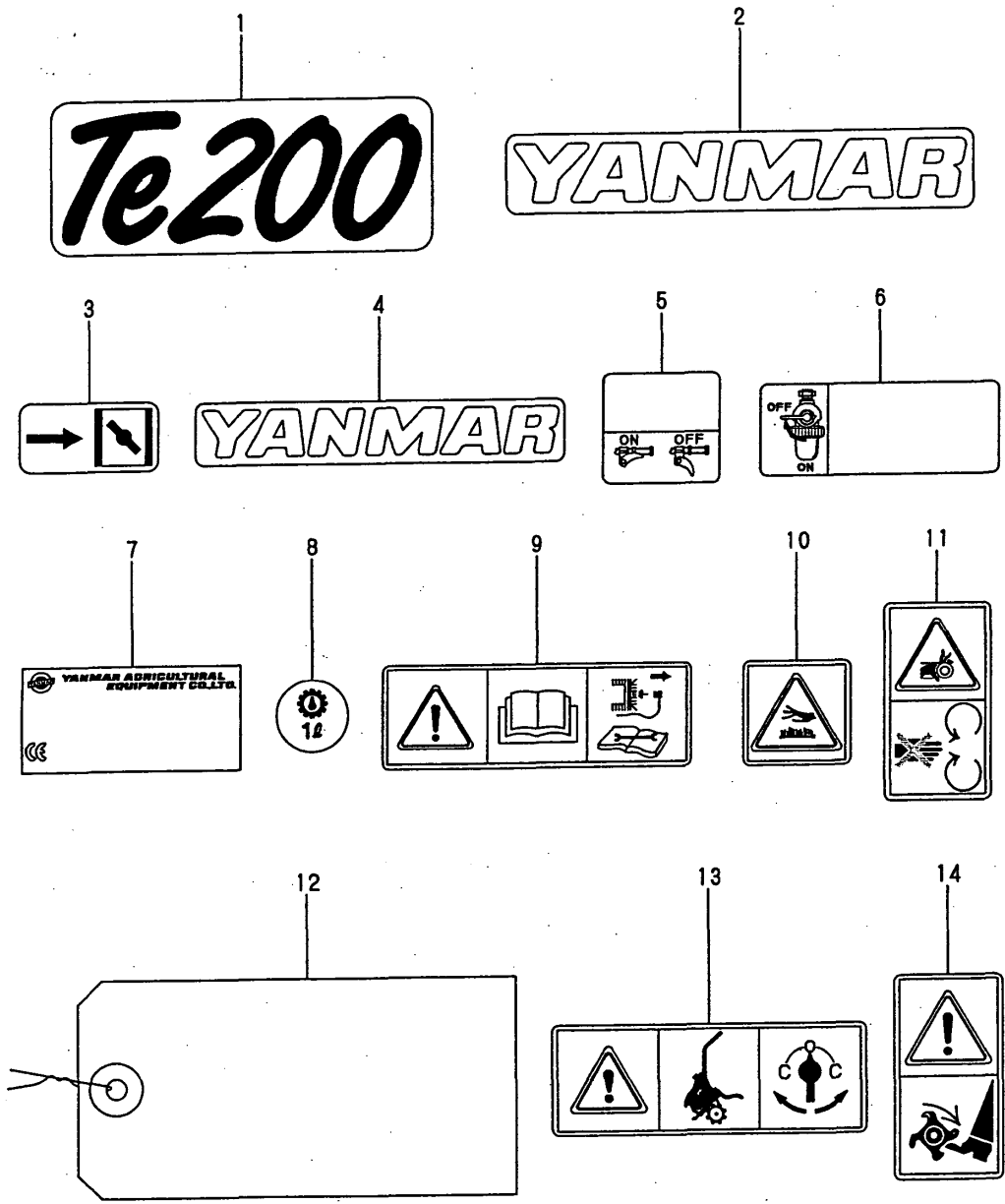
Q'ty

No.	Lev.	Parts No.	Description	Q'ty						I	R
				(A)	(B)	(C)	(D)	(E)	(F)		
1	1	1A1750-40800	SWITCH,STOP	1							
2	1	1A2000-83100	CORD,STOP SWITCH	1							
3	1	26367-080002	NUT, M8	1							



Fig.30. LABELS

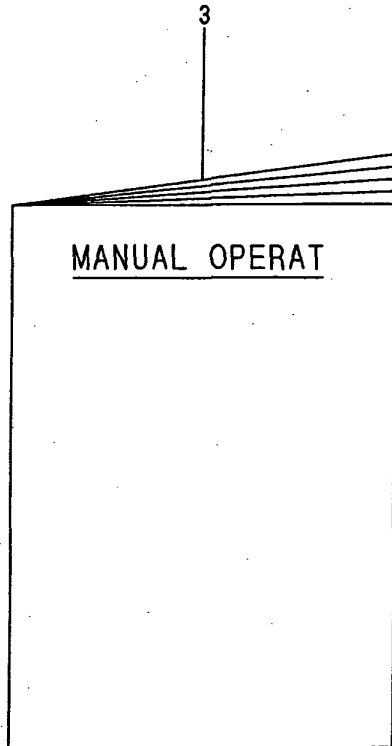
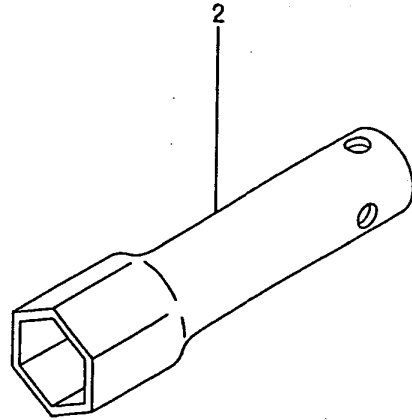
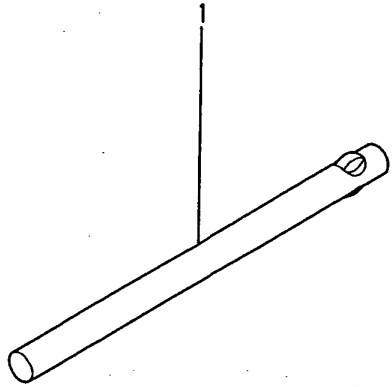
30. LABELS



No.	Lev.	Parts No.	Description	Q'ty						I	R
				(A)	(B)	(C)	(D)	(E)	(F)		
1	1	1A2191-86000	LABEL,MODEL	1							
2	1	1A2150-86080	LABEL,FRONT MASK	1							
3	1	1A2191-86200	LABEL,CHOKE	1							
4	1	1A2130-86320	LABEL,FUEL TANK	1							
5	1	1A2099-86340	LABEL,MAIN CLUTCH	1							
6	1	1A2099-86360	LABEL,FUEL COCK	1							
8	1	1A2138-86701	LABEL '1',OIL	1							
9	1	1A2199-86700	MARK,HANDLING CAUT'N	1							
10	1	1A2199-86720	MARK,HI-TEMP.CAUTION	1							
11	1	1A2199-86840	MARK,BELT CVR.CAUT'N	1							
13	1	1A2191-86900	MARK,COCK CAUTION	1							
14	1	1A2199-86900	MARK,ROTARY CAUTION	1							

Fig.31. TOOLS & ACCESSORIES

31. TOOLS & ACCESSORIES



(A)=TE200  
(B)=  
(C)=

(D)=  
(E)=  
(F)=

No.	Lev.	Parts No.	Description	Q'ty						I	R
				(A)	(B)	(C)	(D)	(E)	(F)		
1	1	1A2320-87000	BAR,WRENCH	1							
2	1	28227-191400	WRENCH, BOX 19X140	1							

## Parts No. Index

Parts No.	Fig. No.	Ref. No.
104200-59170	1	15
106990-44660	7	9
124722-59050	7	8
160120-76940	5	17
	9	14
160490-11120	4	4
160490-56590	8	12
160490-56600	8	16
160495-56600	8	15
160510-02220	2	2
160510-03180	1	22
160510-56151	4	15
160510-56280	8	24
160510-56610	8	11
160510-56620	8	13
160510-56680	8	7
160510-56770	8	17
160510-56800	8	14
160520-07272	3	4
160520-12540	4	12
160520-12550	4	13
160520-66291	9	10
160520-78050	6	26
160560-01740	1	10
160560-78010	6	22
160580-56760	8	4
160590-56771	8	10
160610-01690	1	9
160610-04360	1	13
160610-04390	1	23
160610-04570	1	14
		25
160610-21290	2	7
160610-55390	7	7
160610-56370	8	20
160610-56750	8	21
160610-56900	8	23
160610-59160	7	11
160610-61100	5	10
160610-61300	5	11
160660-11010	4	1
160660-22010	2	9
160662-03010	1	18
160662-03070	1	21
160662-12500	4	7
160662-12510	4	9
160662-12620	4	8
160662-13520	4	17
160662-13550	4	18
160662-45110	6	2

Parts No.	Fig. No.	Ref. No.
160662-55300	7	1
160662-56021	8	3
160662-56520	8	18
160662-66010	9	1
160662-66100	9	2
160662-66110	9	8
160662-66120	9	9
160662-66150	9	17
160664-01011	1	1
160664-01340	1	6
160664-01401	1	7
160664-01411	1	8
160664-02100	2	1
160664-07110	3	3
160664-11100	4	2
160664-11110	4	3
160664-11180	4	6
160664-13201	4	16
160664-14200	5	9
160664-14550	5	6
160664-14560	5	7
160664-21250	2	20
160664-22300	2	15
160664-22471	2	21
160664-22481	2	27
160664-23201	2	19
160664-45010	6	1
160664-45200	6	3
160664-56151	8	1
160664-56160	8	2
160664-56741	8	6
160664-61310	5	12
160664-61600	5	13
160664-66200	9	18
160664-66211	9	19
160664-66220	9	12
160664-76050	6	7
160664-76260	6	8
160664-76510	6	9
160664-76520	6	10
160664-76530	6	11
160664-76580	6	13
160664-76590	6	20
160664-76610	6	17
160664-76620	6	18
160664-76630	6	19
160667-14100	5	1
160667-56630	8	8
160667-76540	6	12
160667-76550	6	16

Parts No.	Fig. No.	Ref. No.
160667-76560	6	14
160667-76570	6	15
160667-78060	6	23
160667-78510	6	24
160670-66350	9	13
160692-66051	9	3
160693-59350	7	12
160700-78050	6	29
160700-78720	6	27
160710-55360	7	4
160710-55370	7	5
160710-55382	7	6
160710-56710	8	5
160710-78710	6	30
160991-07260	3	2
160999-78970	4	19
181130-56640	8	19
181230-56380	8	22
1A1400-16000	22	1
1A1470-20090	13	1
1A1540-43310	19	4
		12
1A1540-46010	19	5
		13
	28	1
1A1540-46020	19	6
		14
1A1540-62110	26	3
1A1540-62140	26	4
1A1540-62170	26	5
1A1750-20180	17	1
1A1750-20201	17	2
1A1750-20410	13	2
1A1750-20440	17	3
1A1750-20491	17	4
1A1750-40800	29	1
1A1750-60500	24	1
1A1750-70000	28	3
1A1750-90150	26	10
1A1750-90160	26	12
	27	6
1A1750-90200	25	5
	26	11
	27	3
1A2000-83100	29	2
1A2099-86340	30	5
1A2099-86360	30	6
1A2130-86320	30	4
1A2138-86701	30	8
1A2150-86080	30	2

Parts No.	Fig. No.	Ref. No.
1A2190-12100	11	1
1A2190-12110	11	2
1A2190-13300	11	8
1A2190-21000	13	3
1A2190-21010	13	4
1A2190-35300	19	3
		11
1A2190-62000	25	2
1A2190-62300	25	3
1A2190-63010	26	6
1A2190-63050	26	7
1A2190-63100	26	8
1A2190-63150	26	9
1A2190-64010	27	2
1A2191-13401	12	2
1A2191-13610	12	3
1A2191-13700	12	4
	25	1
1A2191-23050	14	1
1A2191-23100	15	1
1A2191-23300	16	1
1A2191-32100	18	1
1A2191-35000	19	1
1A2191-35050	19	9
1A2191-35100	19	2
		10
1A2191-51000	20	1
1A2191-51500	21	2
1A2191-51600	21	3
1A2191-55500	22	2
1A2191-55501	22	2 -1
1A2191-55520	22	3
1A2191-55550	22	4
1A2191-55570	22	5
1A2191-55581	22	6
1A2191-55590	22	7
1A2191-61200	23	1
1A2191-63000	25	4
1A2191-64001	27	1
1A2191-86000	30	1
1A2191-86200	30	3
1A2191-86900	30	13
1A2199-86700	30	9
1A2199-86720	30	10
1A2199-86840	30	11
1A2199-86900	30	14
1A2252-64300	26	11 -1
	27	3 -1
1A2320-13100	12	1
1A2320-55600	22	8

## Parts No. Index

Parts No.	Fig. No.	Ref. No.
1A2320-87000	31	1
1C6080-51310	21	1
1C6141-47970	28	2
1D1630-51050	11	4
		9
1D2040-48010	26	2
1D2042-41200	26	1
22137-060000	5	18
	12	5
22137-080000	12	6
	21	4
	27	4
22157-060000	11	5
		10
22217-060000	11	6
22242-000120	12	7
22252-000110	2	16
22287-080000	21	5
22312-060160	1	16
22360-060000	5	19
24101-060024	14	2
24101-062014	14	3
	15	2
	16	2
24101-062044	17	5
24311-000150	1	12
24421-152507	14	4
25112-002900	11	3
26106-060082	6	21
26106-060122	7	10
26107-060122	11	11
	18	2
26107-080122	25	6
26107-080202	19	7
		15
26107-080252	13	5
26107-080302	10	1
26107-080452	13	6
	23	2
26107-080602	20	2
26107-080702	24	2
26107-080752	24	3
26117-040088	9	7
26117-040257	9	11
26117-060162	11	7
26117-080802	21	6
26347-060002	9	15
26366-060002	4	14
		20
	9	16

Parts No.	Fig. No.	Ref. No.
26366-060002	9	20
26367-060002	12	8
	18	3
	25	7
26367-080002	10	2
	12	9
	13	7
	19	8
		16
	20	3
	23	3
	24	4
	25	8
	29	3
26376-100002	2	8
26476-060142	1	24
	6	6
		31
	9	21
26476-060252	1	17
	6	4
		28
26476-060302	6	5
26658-080002	27	5
28227-191400	31	2
760660-22500	2	11
760664-21710	2	3
760664-22541	2	23
760664-22551	2	29
760664-23710	2	17

Parts No.	Fig. No.	Ref. No.
-----------	----------	----------

Parts No.	Fig. No.	Ref. No.
-----------	----------	----------